

NEURO HiSWING R+

Adaptive with Microprocessor-Controlled Hydraulics

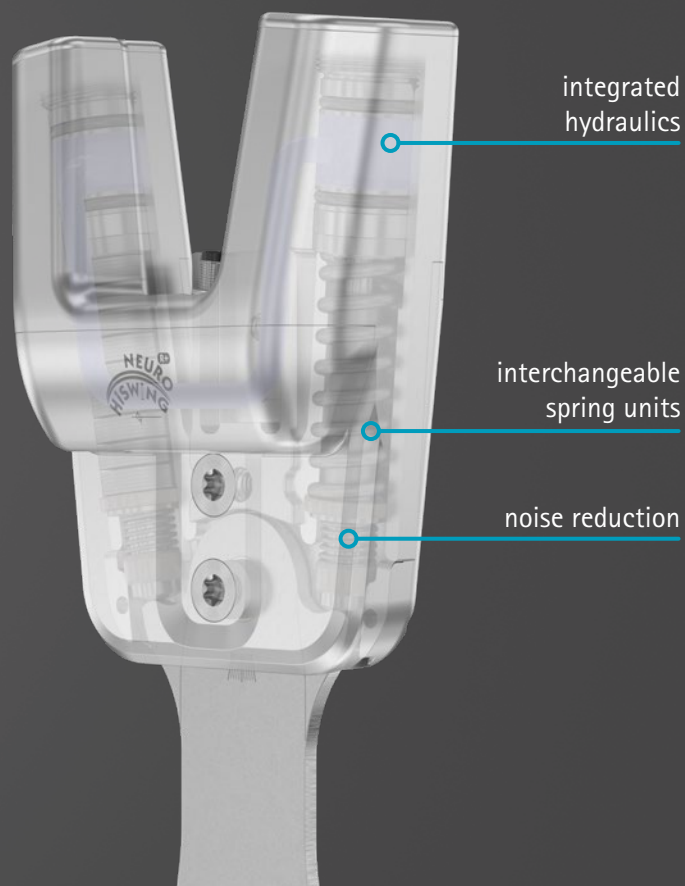


NEURO HiSWING R+ An Innovation in Orthotics

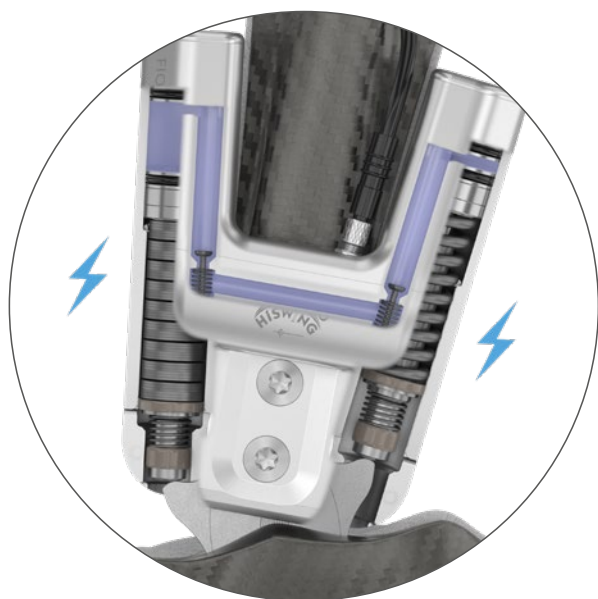
The **NEURO HiSWING R+** is a microprocessor-controlled system ankle joint that can respond easily to changing situations. In its basic alignment, it is adjusted to level ground. Thanks to its integrated hydraulic components, the **NEURO HiSWING R+** can also master hilly terrain and stairs with ease. The easy control and fast reactions enable safe and natural walking on different surfaces.

The **NEURO HiSWING R+** offers the following advantages to the patient:

- easy handling by the patient with the User app
- safe walking on different terrain
- high comfort when sitting
- climbing stairs with less effort
- wearing shoes with different heel heights
- standing and walking without shoes
- can be combined with other FIOR & GENTZ system joints



Integrated Hydraulics



Once the spring units are relieved, the hydraulic valves open and the desired lower leg-to-plumb angle can be set via the User app (e.g. on an incline). The user app indicates when the correct angle for the incline has been reached.

Unique in orthotics: Thanks to the hydraulic components, the patient can adjust the lower leg-to-plumb line angle independently as required via the User app or gesture control and then reliably restore the basic alignment set by the orthotist.

NEURO HiSWING R+ – Flexible in Every Situation

Safely Walking Uphill and Downhill

Thanks to integrated hydraulics, an orthosis with a **NEURO HiSWING R+** system ankle joint can easily be adjusted to inclines or slopes.

The **Zero mode** allows for the lower leg-to-plumb line angle to be adjusted as required so that the body's centre of gravity is above the supportive area of the foot. This makes it easier for the patient to walk uphill and improves stability when walking downhill. The patient can activate the **Zero mode** with their smartphone, Apple Watch or via gesture.

The system joint can then be reset to level ground in **Zero mode**.

Wearing the Orthosis with Heels of Different Heights or without Shoes

The **NEURO HiSWING R+** system ankle joint can be flexibly adjusted to different heel heights with the **Zero mode** and even allows for the orthosis to be worn without shoes. The **NEURO HiSWING R+** is attached to the foot using a simple hook-and-loop fastener to secure the foot piece. A slip-resistant sole ensures safety when walking.

Comfortable Sitting

For situations in which the patient wants to use it as a free moving system ankle joint, they can activate the **Relax mode** of the **NEURO HiSWING R+**. The system ankle joint can now be moved without resistance in plantar flexion and dorsiflexion direction. A complete relaxation of the orthosis leg is achieved when sitting and the patient can easily put on or take off the orthosis. In combination with an automatic system knee joint, only the **Zero** and **Stair** modes are available.

Walking Up and Down Stairs Safely

Even strenuous hurdles, such as long and steep staircases, can be mastered safely with the **NEURO HiSWING R+**.

If the **Stair mode** is activated, the patient can adjust the lower leg-to-plumb line angle to the value set by the orthotist before walking up or down stairs. By increasing the lower leg angle, the body's centre of gravity is optimally shifted towards the supportive area of the foot. This makes walking up the stairs easier and ensures a stable and safe balance when walking down stairs.



Innovation in Orthotics

Joint Control with Gestures

The **NEURO HiSWING R+** is the world's first ankle joint that enables patients to activate the **Zero mode** using one or more gestures in addition to their smartphone and Apple Watch.



Foot Rotation

The foot must be lifted and then rotated outwards and back inwards.



Sole Tap

The foot must be lifted briefly and then tapped on the floor again with the flat sole.



Toe Tap

The foot must be lifted briefly, the knee bent and the tip of the toes tapped on the floor.

Adjustable by Orthotists and Patients

Adjustment of the Orthosis' Alignment by the Orthotist

Thanks to the adjustable alignment of the **NEURO HiSWING R+** system ankle joint, the orthosis can be adjusted to the patient's requirements. The basic position is set in the Expert app by the orthotist.

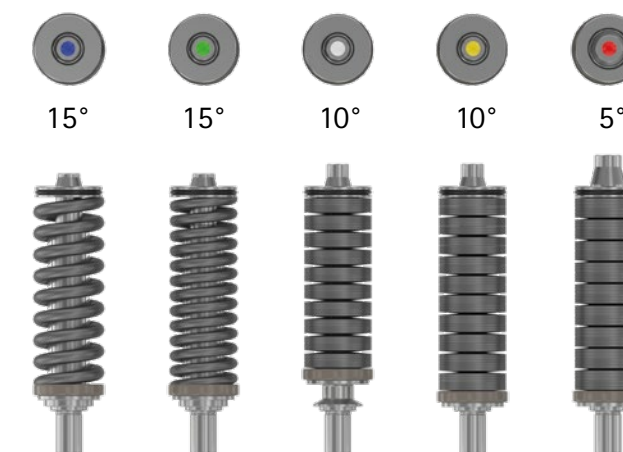
Adjustment of the Lower Leg-to-Plumb Line Angle by the Patient

If necessary (e.g. when walking uphill or climbing stairs), the lower leg-to-plumb line angle can be adjusted. The User app has different modes available for this.

Variable Spring Force

The spring force in plantar flexion and dorsiflexion can be adjusted to the patient's requirements thanks to the exchangeable precompressed spring units from our product range. The product range consists of a total of five differ-

ent spring units, with forces ranging from normal to extra strong and a range of motion from 15° to 5°. The spring units are the well-proven, silent NEURO SWING 2 models.



NEURO HiSWING R+

Safety, Comfort, Flexibility

Safe and Flexible in Every Situation

The **NEURO HiSWING R+** provides fast reactions to different terrains and safety in every situation thanks to its easy control. By selecting a mode in the User app, the patient can adjust the orthosis to their requirements and effortlessly master changing terrain.

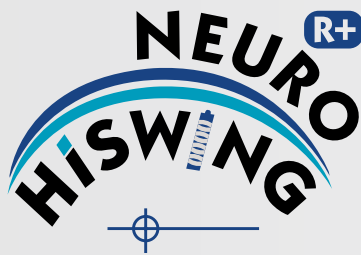
Adjustment Options using Smartphone (iOS/Android) or Apple Watch via Bluetooth

- Zero Mode** - resetting the lower leg-to-plumb line angle to the basic position e.g. for walking uphill and downhill
- Relax Mode** - for situations in which the orthosis is to be used as a free moving orthosis
- Stair Mode** - adjustment of the lower leg-to-plumb line angle to the physiological ankle joint angle when walking up and down stairs



Function Video

Scan the QR Code for more information



Would you like to produce an orthosis with a **NEURO HiSWING R+** system knee joint for your patient?

Use the Orthosis Configurator to independently select the necessary system components for an orthosis with the **NEURO HiSWING R+**. The Orthosis Configurator determines the appropriate system components for your patient by taking the patient data and the load capacity of the selected system joint into account.



Orthosis Configurator

www.orthosis-configurator.com

FIOR & GENTZ

Gesellschaft für Entwicklung und Vertrieb
von orthopädiotechnischen Systemen mbH

Dorette-von-Stern-Straße 5
21337 Lüneburg (Germany)

☎ +49 4131 24445-0
☎ +49 4131 24445-57

✉ info@fior-gentz.de
🏠 www.fior-gentz.com

FIOR & GENTZ
ORTHOPÄDIETECHNIK MIT SYSTEM