



<p><b>Description</b></p>	<p>The NEURO SWING FIT AFO Test Orthosis is a preproduced ankle-foot orthosis which is used for a later treatment with an AFO with a system ankle joint with dynamic dorsiflexion and plantar flexion stop, such as the NEURO SWING. The test orthosis is not suitable for permanent patient treatment or for sale to patients.</p>
<p><b>Features</b></p>	<ul style="list-style-type: none"> <li>- premounted water-resistant NEURO SWING Carbon system ankle joint</li> <li>- antimicrobial lower leg shell pad with a towelling coating and a velour coating</li> <li>- adjustable hook and loop fastener for fixing orthoses on the leg</li> </ul>
<p><b>Material</b></p>	<ul style="list-style-type: none"> <li>- lower leg shell and foot piece made of resistant carbon fibre reinforced plastics</li> <li>- integrated system anchor consisting of high-strength aluminium</li> <li>- integrated system stirrup made of stainless steel</li> </ul>

The NEURO SWING FIT AFO test orthoses are premounted and delivered in two cloth bags for orthoses.

- ➔ The NEURO SWING FIT AFO test orthoses are only available as a set consisting of a left and a right test orthosis.
- ➔ The spring units are not included in the scope of delivery and have to be ordered separately.



Set NEURO SWING FIT AFO Test Orthosis*							
Leg	Unit	Shoe Size	Orthosis Size	Article Number for System Width			
				12mm	14mm	16mm	20mm
left right	set	29-31	XXS	AC5201-XXS/LR	AC5202-XXS/LR	-	-
left right	set	32-34	XS	-	AC5202-XS/LR	-	-
left right	set	35-37	S	-	-	AC5203-S/LR	-
left right	set	38-40	M	-	-	AC5203-M/LR	-
left right	set	41-43	L	-	-	-	AC5205-L/LR
left right	set	44-46	XL	-	-	-	AC5205-XL/LR

\* Determine the shoe size and select the respective orthosis size. For patients with a heavy body weight or of sturdy build, it may be necessary to select a larger orthosis size.

The NEURO SWING FIT AFO Test Orthosis should be worn with a knee stocking or a knee high compression stocking.

Spare Parts  
Padding Set

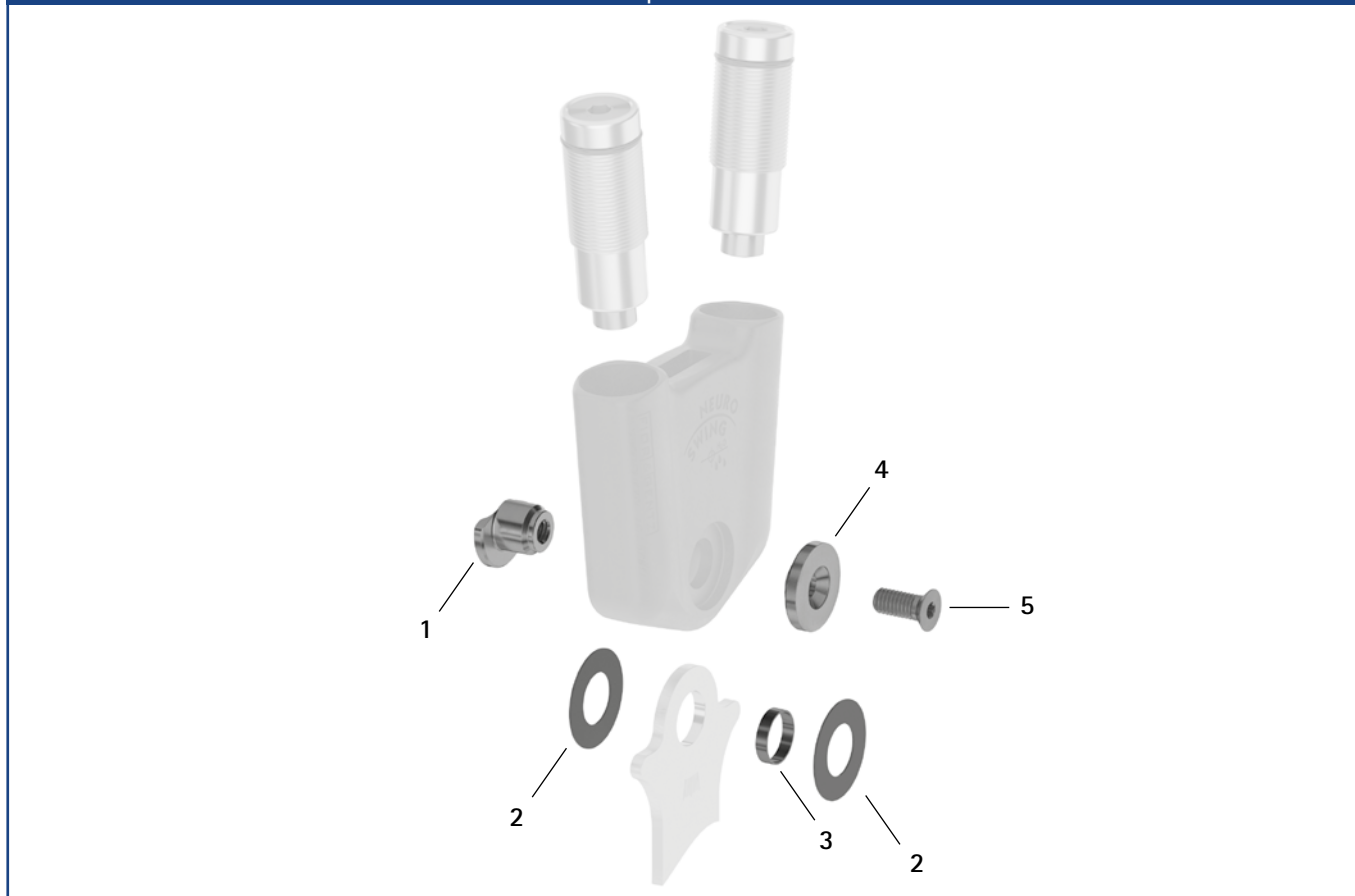


Padding Set\*

Article Number for System Width		Orthosis Size	Padding Set Components
12mm, left	12mm, right		
AC5201-XXS/P/L	AC5201-XXS/P/R	XXS	PL3751-XXS/L (pre-cut padding material, black, left) PL3751-XXS/R (pre-cut padding material, black, right) KV1004-L450 (hook and loop fastener with loop) GP1000-L090 (strap pad) GP1201-L070 (strap pad holder)
14mm, left	14mm, right	Orthosis Size	Padding Set Components
AC5202-XXS/P/L	AC5202-XXS/P/R	XXS	PL3751-XXS/L (pre-cut padding material, black, left) PL3751-XXS/R (pre-cut padding material, black, right) KV1004-L450 (hook and loop fastener with loop) GP1000-L090 (strap pad) GP1201-L070 (strap pad holder)
AC5202-XS/P/L	AC5202-XS/P/R	XS	PL3752-XS/L (pre-cut padding material, black, left) PL3752-XS/R (pre-cut padding material, black, right) KV1004-L450 (hook and loop fastener with loop) GP1000-L090 (strap pad) GP1201-L070 (strap pad holder)
16mm, left	16mm, right	Orthosis Size	Padding Set Components
AC5203-S/P/L	AC5203-S/P/R	S	PL3753-S/L (pre-cut padding material, black, left) PL3753-S/R (pre-cut padding material, black, right) KV1004-L500 (hook and loop fastener with loop) GP1000-L130 (strap pad) GP1201-L100 (strap pad holder)
AC5203-M/P/L	AC5203-M/P/R	M	PL3753-M/L (pre-cut padding material, black, left) PL3753-M/R (pre-cut padding material, black, right) KV1004-L500 (hook and loop fastener with loop) GP1000-L130 (strap pad) GP1201-L100 (strap pad holder)
20mm, left	20mm, right	Orthosis Size	Padding Set Components
AC5205-L/P/L	AC5205-L/P/R	L	PL3755-L/L (pre-cut padding material, black, left) PL3755-L/R (pre-cut padding material, black, right) KV1004-L550 (hook and loop fastener with loop) GP1000-L130 (strap pad) GP1201-L100 (strap pad holder)
AC5205-XL/P/L	AC5205-XL/P/R	XL	PL3755-XL/L (pre-cut padding material, black, left) PL3755-XL/R (pre-cut padding material, black, right) KV1004-L550 (hook and loop fastener with loop) GP1000-L170 (strap pad) GP1201-L130 (strap pad holder)

\* The padding set contains the pre-cut padding material (left or right depending on the order) made of xDRY towelling padding material, the hook and loop fastener with loop, the strap pad and the strap pad holder with 2 self-adhesive hook dots.

Spare Parts



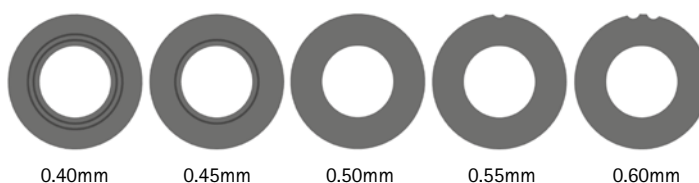
Spare Parts					
Item	Article Number for System Width				Description
	12mm	14mm	16mm	20mm	
1	SF0591-C/1	SF0592-C/1	SF0593-C/1	SF0595-C/1	bearing nut
2	GS1409-*	GS1911-*	GS2413-*	GS2815-*	sliding washer*
3	BR1009-L020	BR1211-L025	BR1312-L030	BR1514-L030	sliding bushing
4	SF0591-C/2	SF0592-C/2	SF0593-C/2	SF0595-C/2	cover disc
5	SC1404-L10	SC1405-L11	SC1406-L14	SC1406-L14	countersunk flat head screw with hexalobular socket

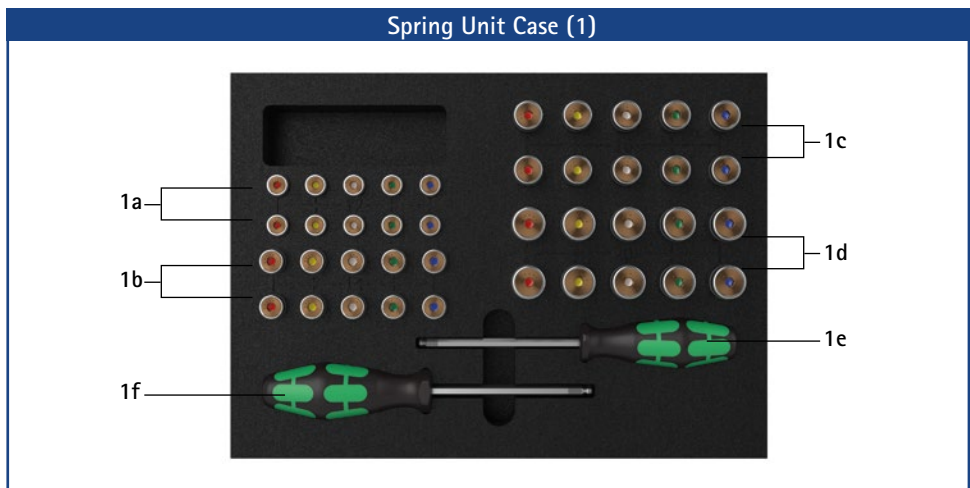
\* Sliding Washers

	Article Number for System Width			
	12mm	14mm	16mm	20mm
	Ø = 14mm	Ø = 19mm	Ø = 24mm	Ø = 28mm
GS1409-040	GS1911-040	GS2413-040	GS2815-040	
GS1409-045	GS1911-045	GS2413-045	GS2815-045	
GS1409-050	GS1911-050	GS2413-050	GS2815-050	
GS1409-055	GS1911-055	GS2413-055	GS2815-055	
GS1409-060	GS1911-060	GS2413-060	GS2815-060	

The last three digits of the article number stand for the thickness of the sliding washer, e. g. GS1409-040. The thickness of this sliding washer is 0.40mm. In total, the sliding washers are available in five different thicknesses. The thickness of a sliding washer is indicated by the markings. For example, a sliding washer with two notches is 0.40mm thick, whereas a sliding washer with one notch is 0.55mm thick. Please use the sliding washer centring pin to position the sliding washer centring pin (article no.: WE5500).

Sliding Washer Centring Pin





Spring Unit Case		
Item	Article Number	Description
1	SF5800-C	1 x spring unit set in a case with tools
w/o fig.	SF5800-C/0	1 x spring unit case for filling by yourself with tools (without spring units)
1a	see table spring units	2 x of each blue, green, white, yellow and red spring unit for NEURO SWING Carbon 12mm
1b	see table spring units	2 x of each blue, green, white, yellow and red spring unit for NEURO SWING Carbon 14mm
1c	see table spring units	2 x of each blue, green, white, yellow and red spring unit for NEURO SWING Carbon 16mm
1d	see table spring units	2 x of each blue, green, white, yellow and red spring unit for NEURO SWING Carbon 20mm
1e	WZ5112-4010	1 x hexagonal screwdriver with spherical head, 4 x 100mm
1f	WZ5112-5010	1 x hexagonal screwdriver with spherical head, 5 x 100mm

Spring Units (You Need Two of the Following Spring Units for the NEURO SWING Carbon System Ankle Joint):					
12mm	Article Number for System Width			Description	Unit
	14mm	16mm	20mm		
SF5801-C/15/03	SF5802-C/15/05	SF5803-C/15/07	SF5805-C/15/18	spring unit, blue, normal, max. 15° range of motion	piece
SF5801-C/15/06	SF5802-C/15/11	SF5803-C/15/15	SF5805-C/15/25	spring unit, green, medium, max. 15° range of motion	piece
SF5801-C/10/12	SF5802-C/09/16	SF5803-C/10/21	SF5805-C/10/40	spring unit, white, strong, max. 10° range of motion	piece
SF5801-C/10/19	SF5802-C/10/29	SF5803-C/10/31	SF5805-C/10/60	spring unit, yellow, very strong, max. 10° range of motion	piece
SF5801-C/05/33	SF5802-C/05/53	SF5803-C/05/63	SF5805-C/05/99	spring unit, red, extra strong, max. 5° range of motion	piece

Spare Parts Spring Units					
Item	Article Number for System Width				Description
	12mm	14mm	16mm	20mm	
2	VE3771-085/13	VE3771-100/12	VE3771-12/12	VE3771-15/13	O-ring for securing the spring unit*

\* An additional O-ring is part of the scope of delivery of the spring units.

Spring Units Weights [g]					
Spring Unit	Article Number	System Width			
		12mm	14mm	16mm	20mm
spring unit, blue, normal, max. 15° range of motion	see table spring units	12	19	33	64
spring unit, green, medium, max. 15° range of motion	see table spring units	14	25	43	69
spring unit, white, strong, max. 10° range of motion	see table spring units	17	29	48	78
spring unit, yellow, very strong, max. 10° range of motion	see table spring units	18	29	47	86
spring unit, red, extra strong, max. 5° range of motion	see table spring units	18	28	49	86

→ Spring units have to be ordered separately.

