

NEURO LOCK



NEURO LOCK MAX

NEURO FLEX MAX
Lock Function

NEURO FLEX MAX
Step Lock Function

NEURO LOCK Carbon



Main Function



lock function
monocentric, locked with posterior offset

- unlocking via lock lever/pulling cable
- permanent unlocking via lock lever/pulling cable and fixing pawl
- locked in 5° extension

Type of Extension Stop

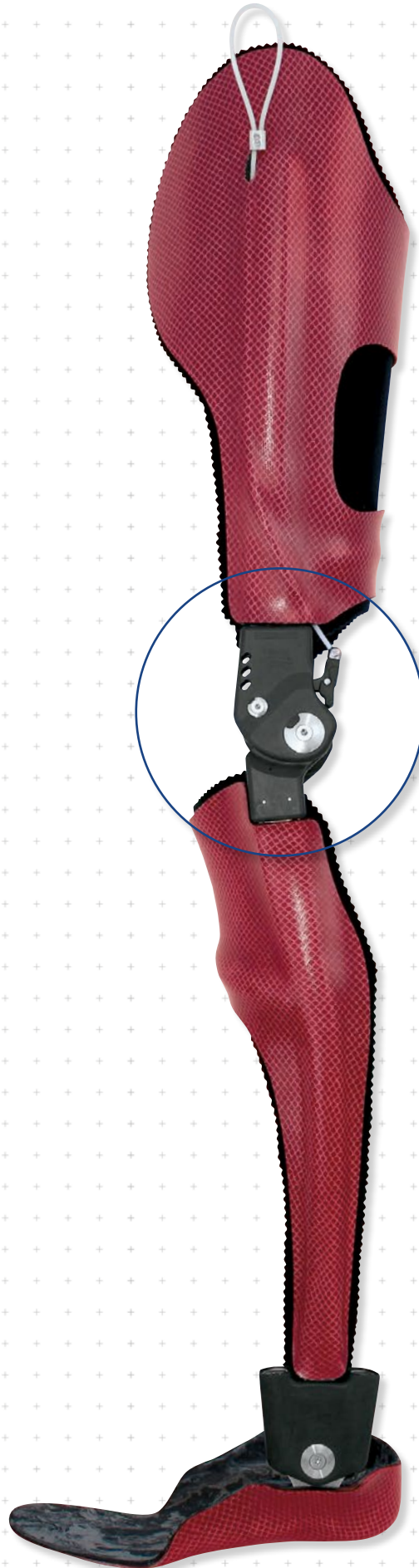


static extension stop

The NEURO LOCK Carbon is a water-resistant ultralight system knee joint made of carbon fibre reinforced plastics.

The NEURO LOCK Carbon system knee joint can be functionally converted into the NEURO CLASSIC Carbon system knee joint by removing the locking pawl, the spring guide and the coil spring.

The NEURO CLASSIC Carbon system knee joint can be used as a supporting joint for the NEURO LOCK Carbon system knee joint.



NEURO LOCK

NEURO LOCK MAX

NEURO FLEX MAX
Lock Function

NEURO FLEX MAX
Step Lock Function

NEURO LOCK Carbon

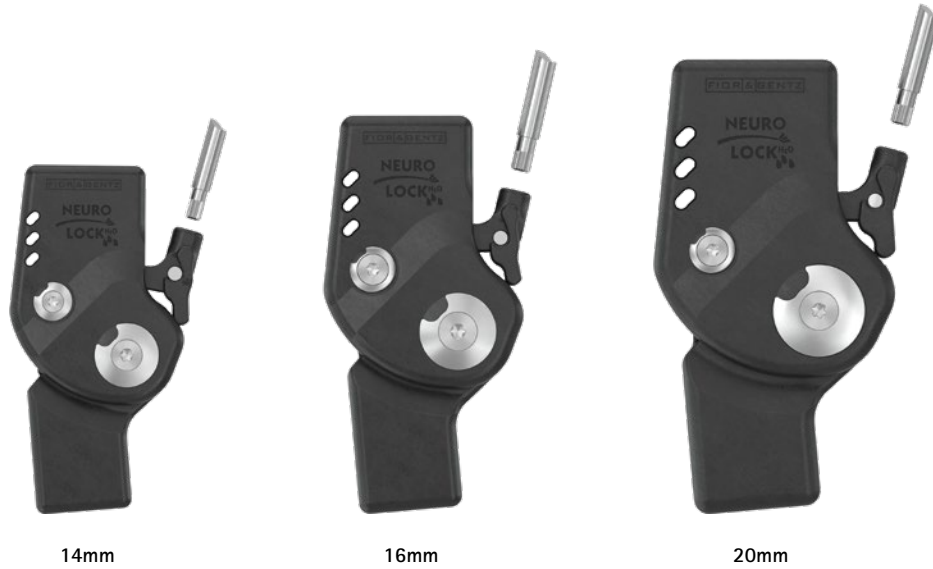
NEURO LOCK

NEURO LOCK MAX

NEURO FLEX MAX
Lock Function

NEURO FLEX MAX
Step Lock Function

NEURO LOCK Carbon

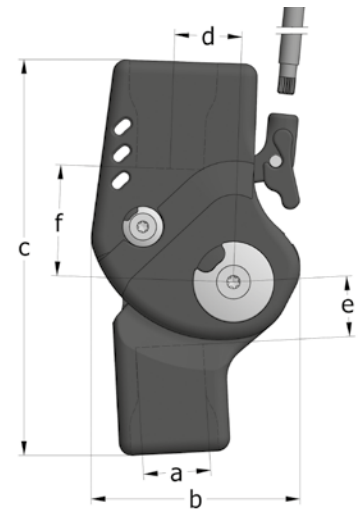


Joint Dimensions [mm]		System Width a		
Dimension	Description	14mm	16mm	20mm
b	joint head width	45	54	62
c	joint height	92	103	118
d	posterior offset*	14	16	20
e	distance pivot point – lower system case	14	18	18
f	distance pivot point – upper system case	24	29	33
	joint thickness	18	19	23

* important for the permanent unlock function

Joint Weights** [g]		System Width		
Material	Unit	14mm	16mm	20mm
carbon	piece	83	96	150

** without lever extension



The NEURO LOCK Carbon system knee joint is delivered with the following articles:
set 2-component adhesive and primer
orthosis joint grease, 3g
assembly/lamination dummy
lever extension
connecting tube for lever extension

- ➔ Please order system anchors separately.
- ➔ You will find pulling cables and pulling cable adaptors on catalogue page G50.7.
- ➔ You will find special system anchors for the NEURO LOCK Carbon on catalogue page I10f.



straight
fig. 1

Straight (Fig. 1)

Material	Leg	Unit	Article Number for System Width		
			14mm	16mm	20mm
carbon	left or right	piece	SK8302-C/LR	SK8303-C/LR	SK8305-C/LR

NEURO LOCK

NEURO LOCK MAX

NEURO FLEX MAX
Lock Function

NEURO FLEX MAX
Step Lock Function

NEURO LOCK Carbon

NEURO LOCK

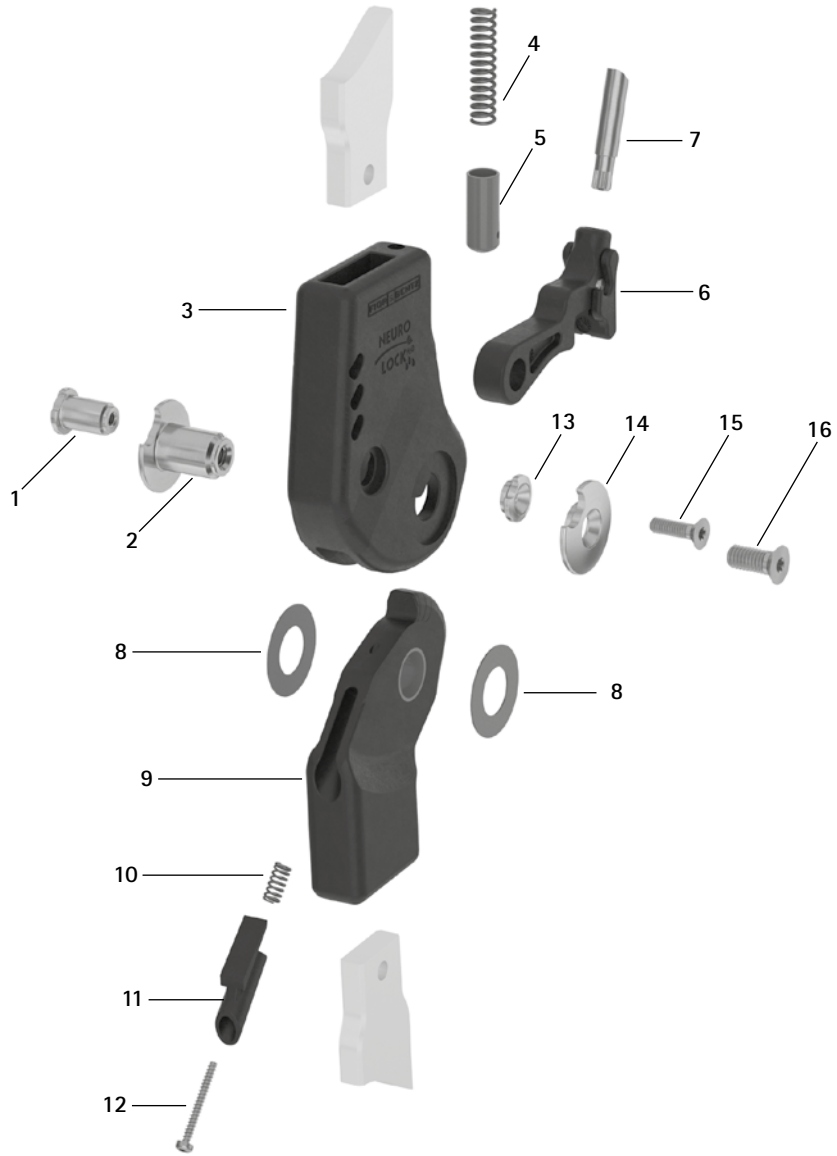
NEURO LOCK MAX

NEURO FLEX MAX
Lock Function

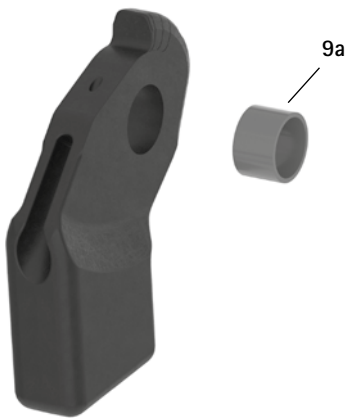
NEURO FLEX MAX
Step Lock Function

NEURO LOCK Carbon

Spare Parts



Lower Part with Sliding Bushing, Preassembled (9)

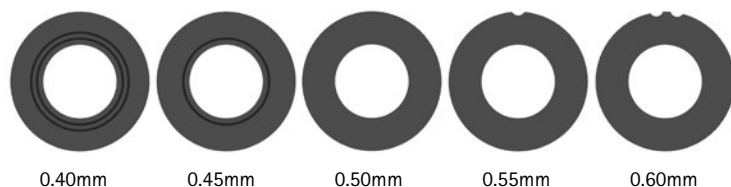


Item	Article Number for System Width			Description
	14mm	16mm	20mm	
1	SK0892-3/C	SK0893-3/C	SK0895-3/C	bearing nut (locking pawl)
2	SK0892-1/C	SK0893-1/C	SK0895-1/C	bearing nut (joint axis)
3	SK0802-C	SK0803-C	SK0805-C	upper part, straight, carbon
4	FE1526-01	FE1526-01	FE1733-02	coil spring
5	SK0872-10/C	SK0872-10/C	SK0875-10/C	spring guide
6	SK0872-5/C	SK0873-5/C	SK0875-5/C	locking pawl with fixing pawl, carbon-titanium hybrid
7	SK0872-51/C	SK0875-51/C	SK0875-51/C	lever extension
8	GS2009-*	GS2311-*	GS2413-*	sliding washer*
9	SK0812-2/C	SK0813-2/C	SK0815-2/C	5° lower part with sliding bushing, straight, carbon-titanium hybrid
9a	BP1009-L059	BP1211-L077	BP1412-L090	sliding bushing
10	FE1510-02	FE1510-02	FE1510-02	coil spring
11	SK9802-E005/C**	SK9803-E005/C**	SK9805-E005/C**	5° extension stop**
12	SC4402-L22	SC4402-L22	SC4402-L22	cheese head screw
13	SK0892-4/C	SK0895-4/C	SK0895-4/C	cover disc (locking pawl)
14	SK0892-2/C	SK0893-2/C	SK0895-2/C	cover disc (joint axis)
15	SC1403-L08	SC1404-L12	SC1404-L14	countersunk flat head screw with hexalobular socket
16	SC1404-L10	SC1405-L14	SC1406-L14	countersunk flat head screw with hexalobular socket (axle screw)

** You can correct play in the system joint by using the precisely adjustable extension stop.

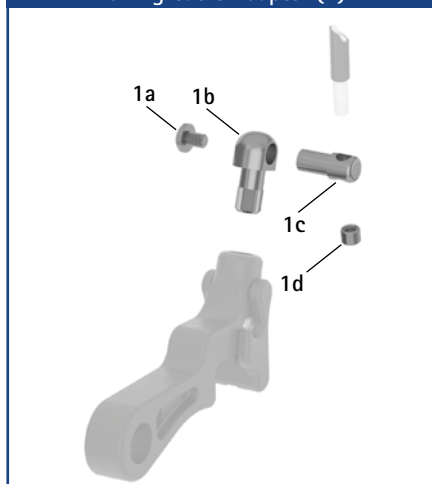
* Sliding Washers			
	Article Number for System Width		
	14mm	16mm	20mm
Ø = 20mm	Ø = 23mm	Ø = 24mm	
GS2009-040	GS2311-040	GS2413-040	
GS2009-045	GS2311-045	GS2413-045	
GS2009-050	GS2311-050	GS2413-050	
GS2009-055	GS2311-055	GS2413-055	
GS2009-060	GS2311-060	GS2413-060	

The last three digits of the article number stand for the thickness of the sliding washer, e.g. GS2009-040. The thickness of this sliding washer is 0.40mm. In total, the sliding washers are available in five different thicknesses. The thickness of a sliding washer is indicated by the markings. For example, a sliding washer with two notches is 0.40mm thick, whereas a sliding washer with one notch is 0.55mm thick. Please use the sliding washer centring pin to position the sliding washers.

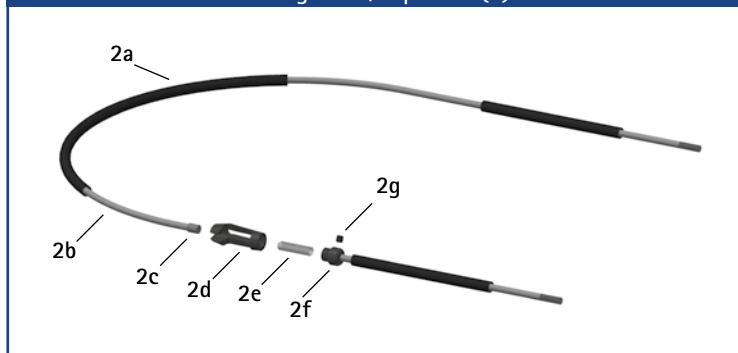


→ You will find special system anchors for the NEURO LOCK Carbon on catalogue page I10f.

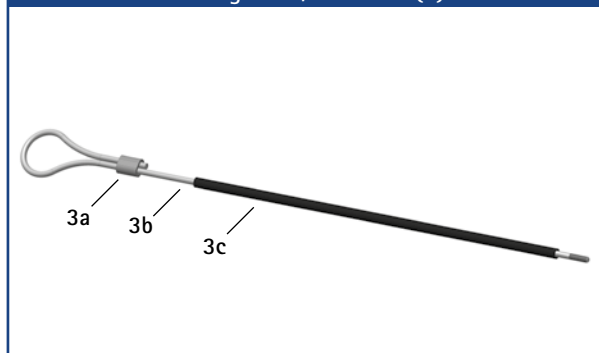
Pulling Cable Adaptor (1)



Pulling Cable, Separable (2)



Pulling Cable, Unilateral (3)

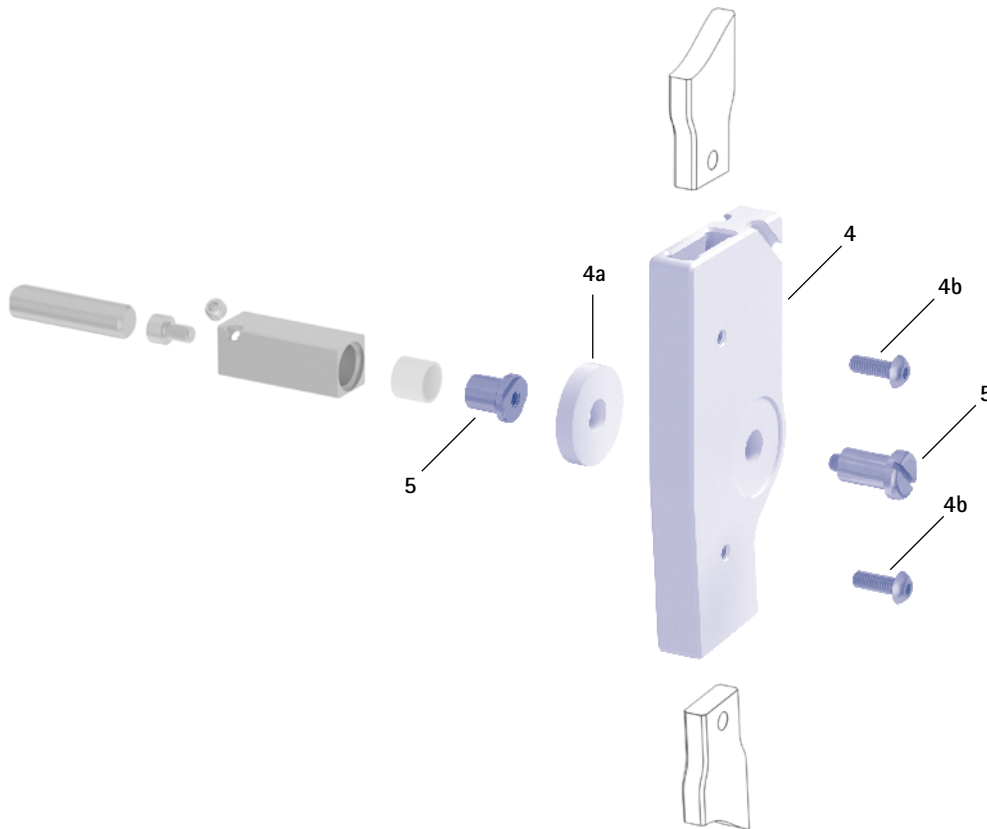


Accessory Parts

Item	Article Number for System Width			Description
	14mm	16mm	20mm	
1	SK0872-50/C	SK0875-50/C	SK0875-50/C	pulling cable adaptor
1a	SC4303-L04	SC4303-L04	SC4303-L04	pan head screw with cross recess H
1b	SK0872-50/C/0	SK0875-50/C/0	SK0875-50/C/0	retainer for pulling cable holder
1c	ZS0324-07	ZS0324-07	ZS0324-07	pulling cable holder
1d	ZS0233	ZS0233	ZS0233	threaded sleeve
w/o fig.	ZS1000-L400*	ZS1000-L400*	ZS1000-L400*	pulling cable, nylon cable with cover, 400mm*
w/o fig.	ZS1000-L500*	S1000-L500*	ZS1000-L500*	pulling cable, nylon cable with cover, 500mm*
w/o fig.	ZS1000-L600*	ZS1000-L600*	ZS1000-L600*	pulling cable, nylon cable with cover, 600mm*
w/o fig.	ZS1000-L700*	ZS1000-L700*	ZS1000-L700*	pulling cable, nylon cable with cover, 700mm*
2	ZS1100-L400*	ZS1100-L400*	ZS1100-L400*	pulling cable, separable through coupler, 400mm*
2	ZS1100-L500*	ZS1100-L500*	ZS1100-L500*	pulling cable, separable through coupler, 500mm*
2a	ZS0102	ZS0102	ZS0102	cable cover, 1000mm long
2b	ZS0002	ZS0002	ZS0002	nylon cable, 1000mm long
2c	ZS0235	ZS0235	ZS0235	threaded sleeve
2d	VE0101-AL	VE0101-AL	VE0101-AL	coupler case, aluminium
2e	FE1420-01	FE1420-01	FE1420-01	pressure spring
2f	VE0102-AL	VE0102-AL	VE0102-AL	connecting screw for coupler
2g	SC9603-L03	SC9603-L03	SC9603-L03	headless pin with hexagon socket
2c-g	VE1000-AL	VE1000-AL	VE1000-AL	coupler, aluminium
3	ZS1400-L600*	ZS1400-L600*	ZS1400-L600*	pulling cable with ferrule for unilateral lock, nylon cable with cover, 600mm long*
3a	ZS0403-AL	ZS0403-AL	ZS0403-AL	ferrule for 3mm nylon cable, aluminium
3b	ZS0001-L600	ZS0001-L600	ZS0001-L600	nylon cable with thread, 625mm
3c	ZS0102-L500	ZS0102-L500	ZS0102-L500	cable cover, 500mm long

* You need one pulling cable adaptor for each locking pawl to mount a pulling cable on.

Assembly/Lamination Dummies and Joint Retainers



Assembly/Lamination Dummies and Joint Retainers

Item	Article Number for System Width			Description	Unit
	14mm	16mm	20mm		
4	SK0982-C/LR1	SK0983-C/LR1	SK0985-C/LR1	assembly/lamination dummy (1 dummy with distance ring and two screws)	piece
4a	SK0982-C/LR/2	SK0983-C/LR/2	SK0985-C/LR/2	distance ring for assembly/lamination dummy	piece
4b	SC0005-L12	SC0005-L12	SC0005-L14	pan head screw with hexagon socket	piece
5	PE1012-LR	PE1122-LR	PE1123-LR	joint retainer	piece
	4/B	10/B	9/C	laser marking	-

- ➔ Assembly/lamination dummies are included in the scope of delivery of the system joints.
- ➔ You will find an overview of our tools on catalogue page J1ff.
- ➔ You will also find the joint retainers and the corresponding laser markings in the tool case on the catalogue pages J13 and J14.