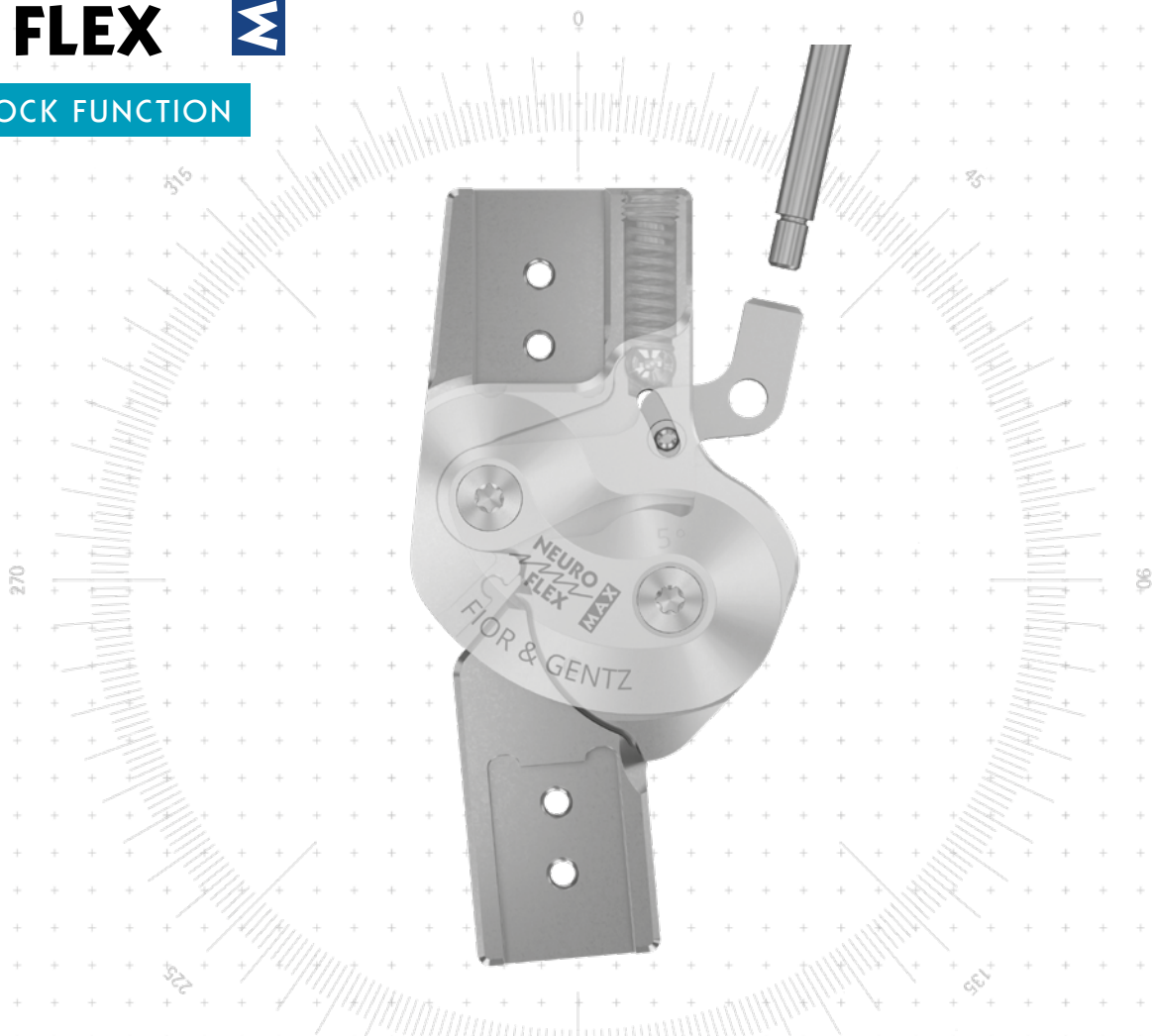






NEURO FLEX MAX

LOCK FUNCTION



Main Function	 <p>lock function monocentric, locked with posterior offset</p> <ul style="list-style-type: none"> - unlocking via lock lever/pulling cable - permanent unlocking via lock lever/pulling cable and locating pin - locked in 5°/10°/15°/20°/25°/30° extension
Functions for Locked System Joints	  <p>exchangeable flexion stop disc/exchangeable, fileable flexion stop disc (alternative function)</p>
Type of Extension Stop	 <p>static extension stop, exchangeable</p>
Adjustment Options	<p>flexion angle can be adjusted as required (0°, 10°, 15°, 20°, 25°, 30°) by exchanging the extension stop and the flexion stop disc or filing the flexion stop disc (alternative function)</p>
Alternative Function	<p>limitation of the maximum knee flexion angle (50°–90°) in 10° steps by mounting the flexion stop disc AF and the cover plate AF as well as filing the flexion stop disc AF at the second stop if necessary (different flexion angles are possible by exchanging the extension stop and filing the flexion stop disc AF at the first stop)</p>

The NEURO FLEX MAX system knee joint with lock function can be converted into the NEURO FLEX MAX system knee joint with step lock function by exchanging the locking pawl and flexion stop disc for the step lock pawl and step lock stop disc.

The NEURO VARIO system knee joint can be used as a supporting joint for the NEURO FLEX MAX system knee joint with lock function.



NEURO LOCK

NEURO LOCK MAX

NEURO FLEX MAX
Lock Function

NEURO FLEX MAX
Step Lock Function

NEURO LOCK Carbon

System Knee Joints NEURO FLEX MAX Lock Function

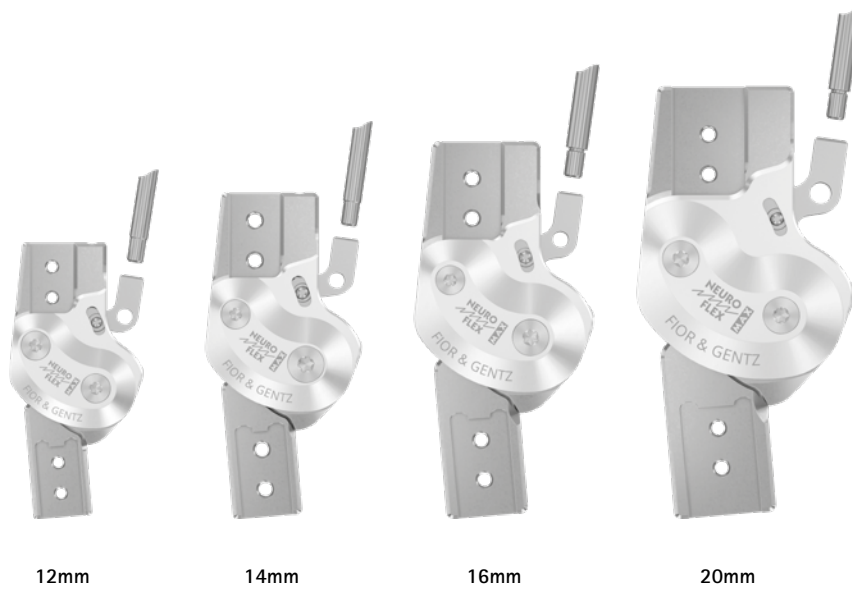
NEURO LOCK

NEURO LOCK MAX

NEURO FLEX MAX Lock Function

NEURO FLEX MAX Step Lock Function

NEURO LOCK Carbon

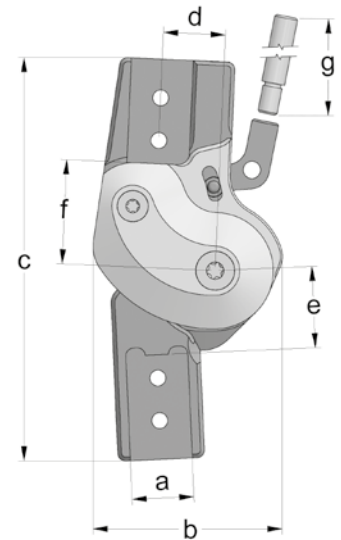


Joint Dimensions [mm]		System Width a			
Dimension	Description	12mm	14mm	16mm	20mm
b	joint head width	37	42.5	49	59
c	joint height	76	90	104	119
d	posterior offset*	12	14	16	20
e	distance pivot point – lower system case	15	17.5	21	23.5
f	distance pivot point – upper system case	21	24	27	33
g	lever length	200	200	200	200
	joint thickness	13	14	16	17.5

* important for the permanent unlock function

Joint Weights** [g]		System Width			
Material	Unit	12mm	14mm	16mm	20mm
titanium	piece	59	88	136	221

** without lever extension



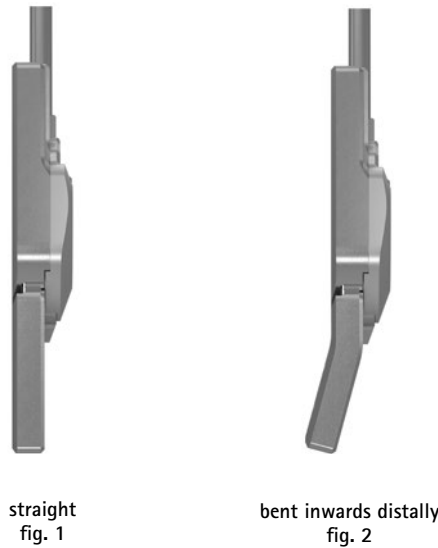
The NEURO FLEX MAX system knee joint with lock function is delivered with the following articles:

- pan head screw for exchanging extension stops
- orthosis joint grease, 3g
- assembly/lamination dummy
- lever extension
- connecting tube for lever extension***

*** only with system joints for left lateral or right medial

- ➔ Please order system side bars/anchors separately.
- ➔ You will find pulling cables and pulling cable adaptors on catalogue page G30.7f.
- ➔ You will find system side bars/anchors on catalogue page J1ff.

G30.3



Straight (Fig. 1), Stock Goods

Material	Degree	Leg Side	Unit	Article Number for System Width			
				12mm	14mm	16mm	20mm
titanium	5°	left lateral or right medial	piece	SK7301-L/TI	SK7302-L/TI	SK7303-L/TI	SK7305-L/TI
		left medial or right lateral	piece	SK7301-R/TI	SK7302-R/TI	SK7303-R/TI	SK7305-R/TI

Straight (Fig. 1), Special Production, Assembled after Order:

titanium	10°	left lateral or right medial	piece	SK7301-L/TI/10	SK7302-L/TI/10	SK7303-L/TI/10	SK7305-L/TI/10
		left medial or right lateral	piece	SK7301-R/TI/10	SK7302-R/TI/10	SK7303-R/TI/10	SK7305-R/TI/10
titanium	15°	left lateral or right medial	piece	SK7301-L/TI/15	SK7302-L/TI/15	SK7303-L/TI/15	SK7305-L/TI/15
		left medial or right lateral	piece	SK7301-R/TI/15	SK7302-R/TI/15	SK7303-R/TI/15	SK7305-R/TI/15
titanium	20°	left lateral or right medial	piece	SK7301-L/TI/20	SK7302-L/TI/20	SK7303-L/TI/20	SK7305-L/TI/20
		left medial or right lateral	piece	SK7301-R/TI/20	SK7302-R/TI/20	SK7303-R/TI/20	SK7305-R/TI/20
titanium	25°	left lateral or right medial	piece	SK7301-L/TI/25	SK7302-L/TI/25	SK7303-L/TI/25	SK7305-L/TI/25
		left medial or right lateral	piece	SK7301-R/TI/25	SK7302-R/TI/25	SK7303-R/TI/25	SK7305-R/TI/25
titanium	30°	left lateral or right medial	piece	SK7301-L/TI/30	SK7302-L/TI/30	SK7303-L/TI/30	SK7305-L/TI/30
		left medial or right lateral	piece	SK7301-R/TI/30	SK7302-R/TI/30	SK7303-R/TI/30	SK7305-R/TI/30

Bent Inwards Distally (Fig. 2), Stock Goods

Material	Degree	Leg Side	Unit	Article Number for System Width			
				12mm	14mm	16mm	20mm
titanium	5°	left lateral or right medial	piece	SK7321-L/TI	SK7322-L/TI	SK7323-L/TI	SK7325-L/TI
		left medial or right lateral	piece	SK7321-R/TI	SK7322-R/TI	SK7323-R/TI	SK7325-R/TI

Bent Inwards Distally (Fig. 2), Special Production, Assembled after Order:

titanium	10°	left lateral or right medial	piece	SK7321-L/TI/10	SK7322-L/TI/10	SK7323-L/TI/10	SK7325-L/TI/10
		left medial or right lateral	piece	SK7321-R/TI/10	SK7322-R/TI/10	SK7323-R/TI/10	SK7325-R/TI/10
titanium	15°	left lateral or right medial	piece	SK7321-L/TI/15	SK7322-L/TI/15	SK7323-L/TI/15	SK7325-L/TI/15
		left medial or right lateral	piece	SK7321-R/TI/15	SK7322-R/TI/15	SK7323-R/TI/15	SK7325-R/TI/15
titanium	20°	left lateral or right medial	piece	SK7321-L/TI/20	SK7322-L/TI/20	SK7323-L/TI/20	SK7325-L/TI/20
		left medial or right lateral	piece	SK7321-R/TI/20	SK7322-R/TI/20	SK7323-R/TI/20	SK7325-R/TI/20
titanium	25°	left lateral or right medial	piece	SK7321-L/TI/25	SK7322-L/TI/25	SK7323-L/TI/25	SK7325-L/TI/25
		left medial or right lateral	piece	SK7321-R/TI/25	SK7322-R/TI/25	SK7323-R/TI/25	SK7325-R/TI/25
titanium	30°	left lateral or right medial	piece	SK7321-L/TI/30	SK7322-L/TI/30	SK7323-L/TI/30	SK7325-L/TI/30
		left medial or right lateral	piece	SK7321-R/TI/30	SK7322-R/TI/30	SK7323-R/TI/30	SK7325-R/TI/30

NEURO LOCK

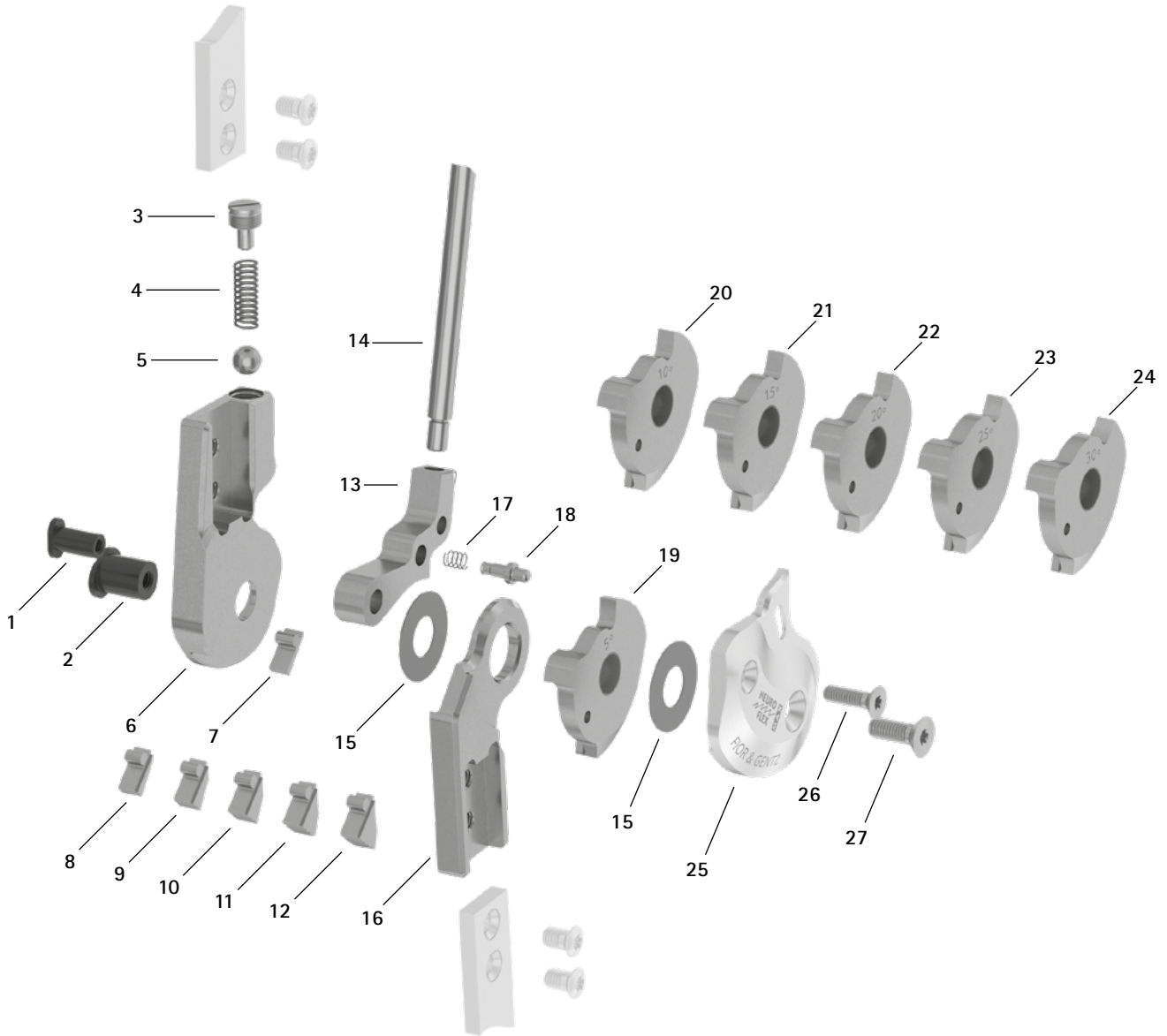
NEURO LOCK MAX

NEURO FLEX MAX
Lock Function

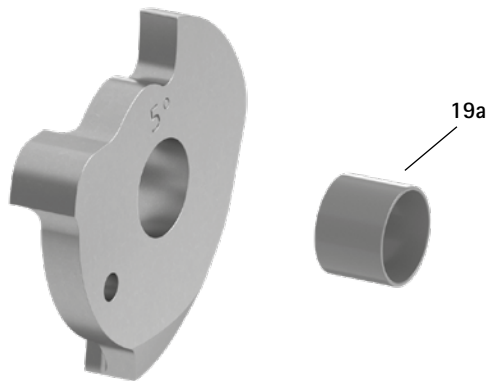
NEURO FLEX MAX
Step Lock Function

NEURO LOCK Carbon

Spare Parts



Flexion Stop Disc with Sliding Bushing, Preassembled (19)



Spare Parts					
Item	Article Number for System Width				Description
	12mm	14mm	16mm	20mm	
1	SB6049-L0850	SB6049-L0950	SB6049-L1130	SB8559-L1290	bearing nut (locking pawl)
2	SB7049-L0850	SB8559-L0950	SB9669-L1130	SB1069-L1290	bearing nut (joint axis)
3	SC2106-L04	SC2107-L04	SC9608-L11	SC9609-L04/1	pressure screw
4	FE1414-01	FE1520-01	FE1527-01	FE2726-01	coil spring
5	KU1005-ST	KU1006-ST	KU1007-ST	KU1008-ST	ball
6	SK0701-2L/TI	SK0702-2L/TI	SK0703-2L/TI	SK0705-2L/TI	upper part, left lateral or right medial, straight, titanium
6	SK0701-2R/TI	SK0702-2R/TI	SK0703-2R/TI	SK0705-2R/TI	upper part, left medial or right lateral, straight, titanium
7	SK9801-E005	SK9802-E005	SK9803-E005	SK9805-E005	5° extension stop
8	SK9801-E010	SK9802-E010	SK9803-E010	SK9805-E010	10° extension stop
9	SK9801-E015	SK9802-E015	SK9803-E015	SK9805-E015	15° extension stop
10	SK9801-E020	SK9802-E020	SK9803-E020	SK9805-E020	20° extension stop
11	SK9801-E025	SK9802-E025	SK9803-E025	SK9805-E025	25° extension stop
12	SK9801-E030	SK9802-E030	SK9803-E030	SK9805-E030	30° extension stop
13	SK0771-*	SK0772-*	SK0773-*	SK0775-*	locking pawl*
14	SK0492-ST	SK0492-ST	SK0495-ST	SK0495-ST	lever extension
15	GS1807-**	GS2009-**	GS2210-**	GS2411-**	sliding washer**
16	SK0711-L/TI	SK0712-L/TI	SK0713-L/TI	SK0715-L/TI	lower part, left lateral or right medial, straight, titanium
16	SK0711-R/TI	SK0712-R/TI	SK0713-R/TI	SK0715-R/TI	lower part, left medial or right lateral, straight, titanium
16	SK0731-L/TI	SK0732-L/TI	SK0733-L/TI	SK0735-L/TI	lower part, left lateral or right medial, bent inwards, titanium
16	SK0731-R/TI	SK0732-R/TI	SK0733-R/TI	SK0735-R/TI	lower part, left medial or right lateral, bent inwards, titanium
17	FE1407-01	FE1411-02	FE1411-02	FE1411-02	coil spring
18	SK0771-20	SK0772-20	SK0773-20	SK0775-20	locating pin for adjusting the permanent unlock function
19	SK0781-2L/TI	SK0782-2L/TI	SK0783-2L/TI	SK0785-2L/TI	5° flexion stop disc with sliding bushing, left lateral or right medial, titanium
19	SK0781-2R/TI	SK0782-2R/TI	SK0783-2R/TI	SK0785-2R/TI	5° flexion stop disc with sliding bushing, left medial or right lateral, titanium
19a	BP0807-L056	BP1009-L065	BP1110-L078	BP1211-L090	sliding bushing
20	SK0781-3L/TI	SK0782-3L/TI	SK0783-3L/TI	SK0785-3L/TI	10° flexion stop disc with sliding bushing, left lateral or right medial, titanium
20	SK0781-3R/TI	SK0782-3R/TI	SK0783-3R/TI	SK0785-3R/TI	10° flexion stop disc with sliding bushing, left medial or right lateral, titanium
21	SK0781-4L/TI	SK0782-4L/TI	SK0783-4L/TI	SK0785-4L/TI	15° flexion stop disc with sliding bushing, left lateral or right medial, titanium
21	SK0781-4R/TI	SK0782-4R/TI	SK0783-4R/TI	SK0785-4R/TI	15° flexion stop disc with sliding bushing, left medial or right lateral, titanium
22	SK0781-5L/TI	SK0782-5L/TI	SK0783-5L/TI	SK0785-5L/TI	20° flexion stop disc with sliding bushing, left lateral or right medial, titanium
22	SK0781-5R/TI	SK0782-5R/TI	SK0783-5R/TI	SK0785-5R/TI	20° flexion stop disc with sliding bushing, left medial or right lateral, titanium
23	SK0781-6L/TI	SK0782-6L/TI	SK0783-6L/TI	SK0785-6L/TI	25° flexion stop disc with sliding bushing, left lateral or right medial, titanium
23	SK0781-6R/TI	SK0782-6R/TI	SK0783-6R/TI	SK0785-6R/TI	25° flexion stop disc with sliding bushing, left medial or right lateral, titanium
24	SK0781-7L/TI	SK0782-7L/TI	SK0783-7L/TI	SK0785-7L/TI	30° flexion stop disc with sliding bushing, left lateral or right medial, titanium
24	SK0781-7R/TI	SK0782-7R/TI	SK0783-7R/TI	SK0785-7R/TI	30° flexion stop disc with sliding bushing, left medial or right lateral, titanium
25	SK0761-2L/AL	SK0762-2L/AL	SK0763-2L/AL	SK0765-2L/AL	cover plate, left lateral or right medial, aluminium
25	SK0761-2R/AL	SK0762-2R/AL	SK0763-2R/AL	SK0765-2R/AL	cover plate, left medial or right lateral, aluminium
26	SC1404-L12	SC1404-L12	SC1404-L14	SC1405-L14	countersunk flat head screw with hexalobular socket
27	SC1404-L12	SC1405-L12	SC1405-L14	SC1406-L14	countersunk flat head screw with hexalobular socket (axle screw)
w/o fig.	SK0492-VS	SK0492-VS	SK0493-VS	SK0493-VS	connecting tube for lever extension
w/o fig.	SC0403-L08	SC0403-L08	SC0403-L10	SC0403-L10	pan head screw for exchanging extension stops

→ You always need an extension stop and a corresponding flexion stop disc to change the flexion angle.

* Locking Pawls				
12mm	Article Number for System Width			20mm
	14mm	16mm	16mm	
SK0771-L/025	-	-	SK0775-L/025	
SK0771-L/038	SK0772-L/038	SK0773-L/038	SK0775-L/038	
SK0771-L/044	-	-	SK0775-L/044	
SK0771-L/050	SK0772-L/050	SK0773-L/050	SK0775-L/050	
-	SK0772-L/056	SK0773-L/056	SK0775-L/056	
SK0771-L/063	SK0772-L/063	SK0773-L/063	SK0775-L/063	
-	SK0772-L/069	SK0773-L/069	-	
-	SK0772-L/075	SK0773-L/075	SK0775-L/075	
-	SK0772-L/088	SK0773-L/088	SK0775-L/088	
-	SK0772-L/100	SK0773-L/100	-	



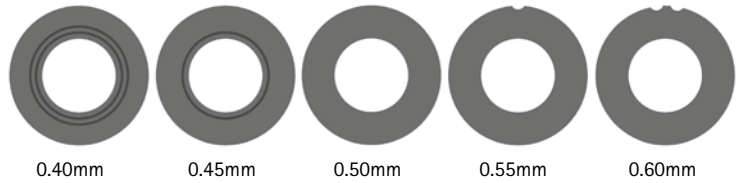
The locking pawls are marked with the last three digits of the article number. The larger the number, the longer the locking pawl. Please, note and respect when reordering: Mount the next longer locking pawl if there is any play resulting from usage.

If you need a locking pawl for right lateral or left medial as opposed to a locking pawl for left lateral or right medial listed here, you have to replace the L in the article number with an R. Example: SK0775-R/025.

** Sliding Washers

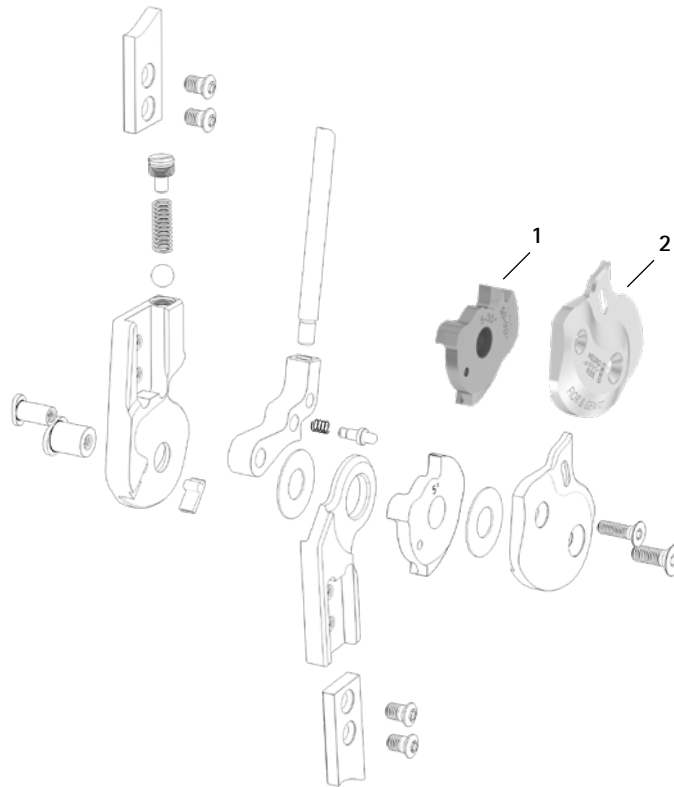
Article Number for System Width			
12mm	14mm	16mm	20mm
∅ = 18mm	∅ = 20mm	∅ = 22mm	∅ = 24mm
GS1807-040	GS2009-040	GS2210-040	GS2411-040
GS1807-045	GS2009-045	GS2210-045	GS2411-045
GS1807-050	GS2009-050	GS2210-050	GS2411-050
GS1807-055	GS2009-055	GS2210-055	GS2411-055
GS1807-060	GS2009-060	GS2210-060	GS2411-060

The last three digits of the article number stand for the thickness of the sliding washer, e. g. GS1407-040. The thickness of this sliding washer is 0.40mm. In total, the sliding washers are available in five different thicknesses. The thickness of a sliding washer is indicated by the markings. For example, a sliding washer with two notches is 0.40mm thick, whereas a sliding washer with one notch is 0.55mm thick.

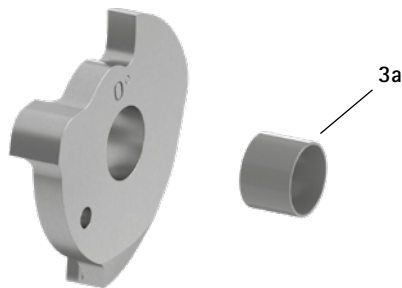


➔ You will find system side bars and system anchors on catalogue page J1ff.

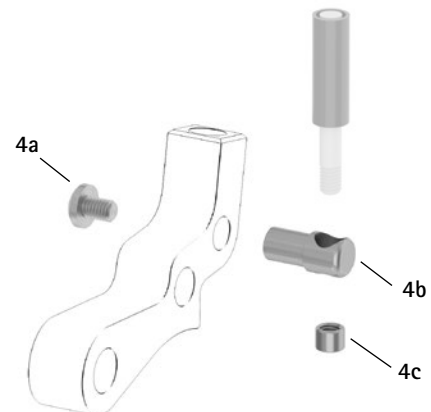
Flexion Stop Disc and Cover Plate for Alternative Function

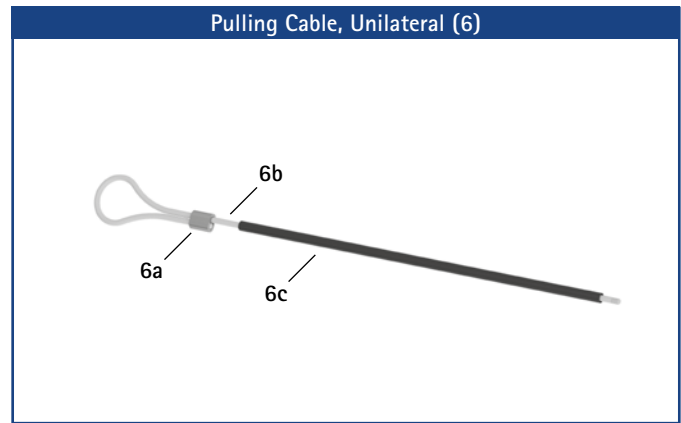
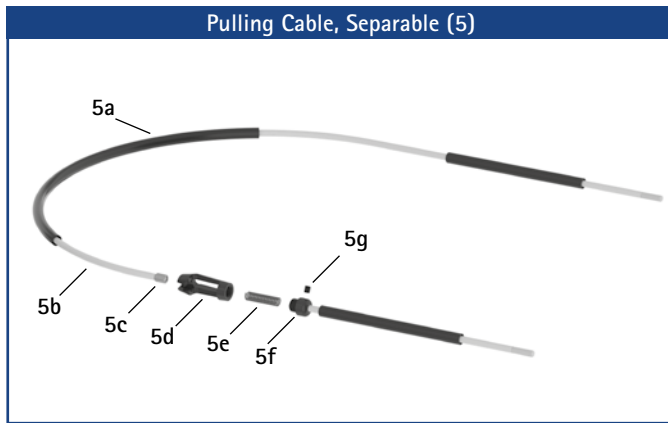


0° Flexion Stop Disc with Sliding Bushing, Preassembled (3)



Pulling Cable Adaptor (4)



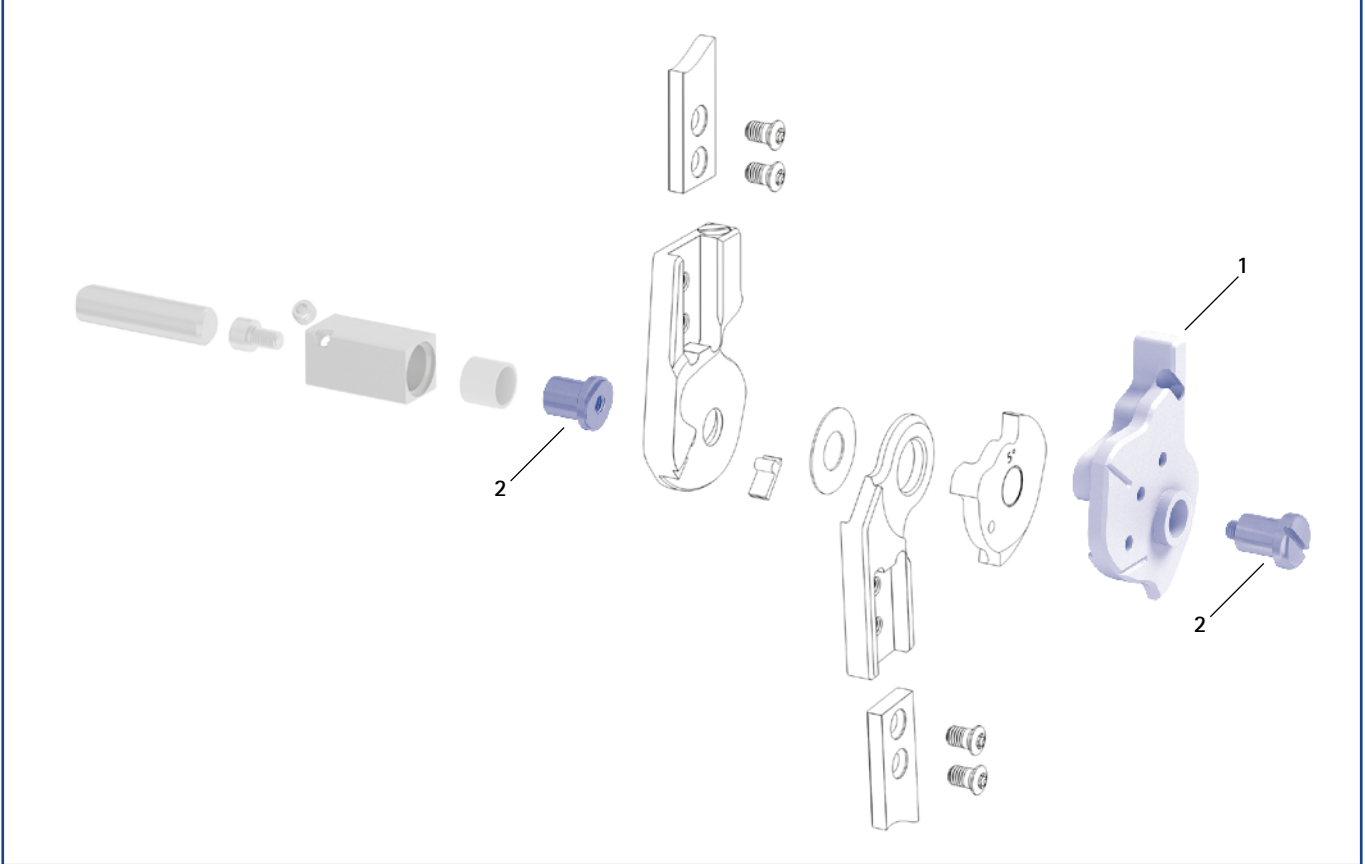


Accessory Parts					
Item	Article Number for System Width				Description
	12mm	14mm	16mm	20mm	
1	SK0741-2L50F	SK0742-2L50F	SK0743-2L50F	SK0745-2L50F	5° flexion stop disc AF with sliding bushing, 5°-30°, left lateral or right medial, titanium
1	SK0741-2R50F	SK0742-2R50F	SK0743-2R50F	SK0745-2R50F	5° flexion stop disc AF with sliding bushing, 5°-30°, left medial or right lateral, titanium
1	SK0741-L50F	SK0742-L50F	SK0743-L50F	SK0745-L50F	0° flexion stop disc AF with sliding bushing, 0°-30°, left lateral or right medial, titanium
1	SK0741-R50F	SK0742-R50F	SK0743-R50F	SK0745-R50F	0° flexion stop disc AF with sliding bushing, 0°-30°, left medial or right lateral, titanium
2	SK0761-4L/AL	SK0762-4L/AL	SK0763-4L/AL	SK0765-4L/AL	cover plate AF, left lateral or right medial, aluminium
2	SK0761-4R/AL	SK0762-4R/AL	SK0763-4R/AL	SK0765-4R/AL	cover plate AF, left medial or right lateral, aluminium
3	SK0781-L/TI*	SK0782-L/TI*	SK0783-L/TI*	SK0785-L/TI*	0° flexion stop disc with sliding bushing, left lateral or right medial, titanium*
3	SK0781-R/TI*	SK0782-R/TI*	SK0783-R/TI*	SK0785-R/TI*	0° flexion stop disc with sliding bushing, left medial or right lateral, titanium*
3a	BP0807-L056	BP1009-L065	BP1110-L078	BP1211-L090	sliding bushing
4	ZS3701	ZS3702	ZS3703	ZS3705	pulling cable adaptor
4a	SC4303-L04	SC4303-L04	SC4303-L04	SC4304-L08	pan head screw with cross recess H
4b	ZS0324-06	ZS0324-07	ZS0324-08	ZS0326-10	pulling cable holder
4c	ZS0233	ZS0233	ZS0233	ZS0235	threaded sleeve
w/o fig.	ZS1000-L400**	ZS1000-L400**	ZS1000-L400**	ZS1000-L400**	pulling cable, nylon cable with cover, 400mm**
w/o fig.	ZS1000-L500**	ZS1000-L500**	ZS1000-L500**	ZS1000-L500**	pulling cable, nylon cable with cover, 500mm**
w/o fig.	ZS1000-L600**	ZS1000-L600**	ZS1000-L600**	ZS1000-L600**	pulling cable, nylon cable with cover, 600mm**
w/o fig.	ZS1000-L700**	ZS1000-L700**	ZS1000-L700**	ZS1000-L700**	pulling cable, nylon cable with cover, 700mm**
5	ZS1100-L400**	ZS1100-L400**	ZS1100-L400**	ZS1100-L400**	pulling cable, separable through coupler, 400mm**
5	ZS1100-L500**	ZS1100-L500**	ZS1100-L500**	ZS1100-L500**	pulling cable, separable through coupler, 500mm**
5a	ZS0102	ZS0102	ZS0102	ZS0102	cable cover, 1000mm long
5b	ZS0002	ZS0002	ZS0002	ZS0002	nylon cable, 1000mm long
5c	ZS0235	ZS0235	ZS0235	ZS0235	threaded sleeve
5d	VE0101-AL	VE0101-AL	VE0101-AL	VE0101-AL	coupler case, aluminium
5e	FE1420-01	FE1420-01	FE1420-01	FE1420-01	coil spring
5f	VE0102-AL	VE0102-AL	VE0102-AL	VE0102-AL	connecting screw for coupler
5g	SC9603-L03	SC9603-L03	SC9603-L03	SC9603-L03	headless pin with hexagon socket
5c-5g	VE1000-AL	VE1000-AL	VE1000-AL	VE1000-AL	coupler, aluminium
6	ZS1400-L600**	ZS1400-L600**	ZS1400-L600**	ZS1400-L600**	pulling cable with ferrule for unilateral lock, nylon cable with cover, 600mm long**
6a	ZS0403-AL	ZS0403-AL	ZS0403-AL	ZS0403-AL	ferrule for 3mm nylon cable, aluminium
6b	ZS0001-L600	ZS0001-L600	ZS0001-L600	ZS0001-L600	nylon cable with thread
6c	ZS0102-L500	ZS0102-L500	ZS0102-L500	ZS0102-L500	cable cover, 500mm long

* You do not need an extension stop for this 0° flexion stop disc.

** You need one pulling cable adaptor for each locking pawl to mount a pulling cable on.

Assembly/Lamination Dummies and Joint Retainers



Assembly/Lamination Dummies and Joint Retainers						
Item	Article Number for System Width				Description	Unit
	12mm	14mm	16mm	20mm		
1	SK0971-L	SK0972-L	SK0973-L	SK0975-L	assembly/lamination dummy, left lateral or right medial	piece
1	SK0971-R	SK0972-R	SK0973-R	SK0975-R	assembly/lamination dummy, left medial or right lateral	piece
2	PE1121-LR	PE1122-LR	PE1123-LR	PE1125-LR	joint retainer	piece
	2/A	10/B	9/C	8/C	laser marking	-

- ➔ Assembly/lamination dummies are included in the scope of delivery of the system joints.
- ➔ You will find an overview of our tools on catalogue page K1ff.
- ➔ You will also find the joint retainers and the corresponding laser markings in the tool case on the catalogue pages K13 and K14.

NEURO TRONIC – Electromechanical Stance Phase Control



splashwater-protected
according to IP44

