



NEURO CLASSIC

NEURO CLASSIC Carbon

NEURO CLASSIC-SPRING

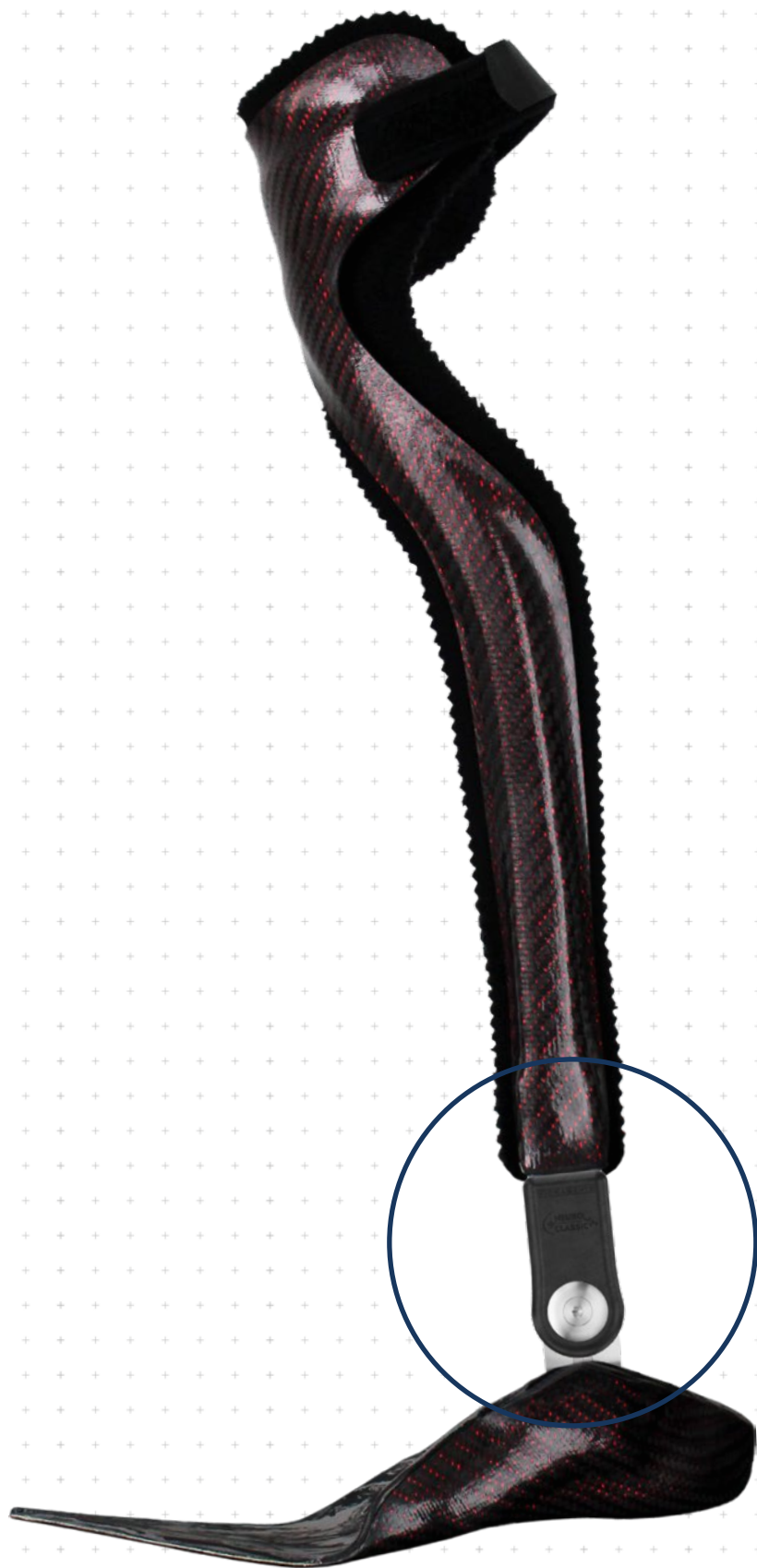
NEURO CLASSIC-SWING



	Dorsiflexion Stop	Plantar Flexion Stop
Main Function	 <p>none free moving system stirrup</p>	 <p>none free moving system stirrup</p>

The NEURO CLASSIC Carbon system ankle joint is a water-resistant ultralight system ankle joint made of carbon fibre reinforced plastics.

The NEURO CLASSIC Carbon system ankle joint can be used as supporting joint for NEURO SWING Carbon system ankle joint.

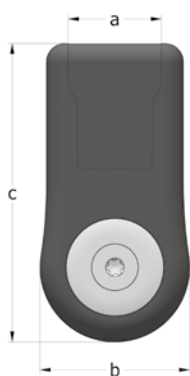




16mm

Joint Dimensions [mm]		
Dimension	Description	System Width a 16mm
b	joint head width	32
c	joint height	64
	joint thickness	17

Joint Weights [g]		
Material	Unit	System Width 16mm
carbon	piece	46



The NEURO CLASSIC Carbon system ankle joint is delivered with the following articles:

- set 2-component adhesive and primer
- orthosis joint grease, 3g
- assembly/lamination dummy

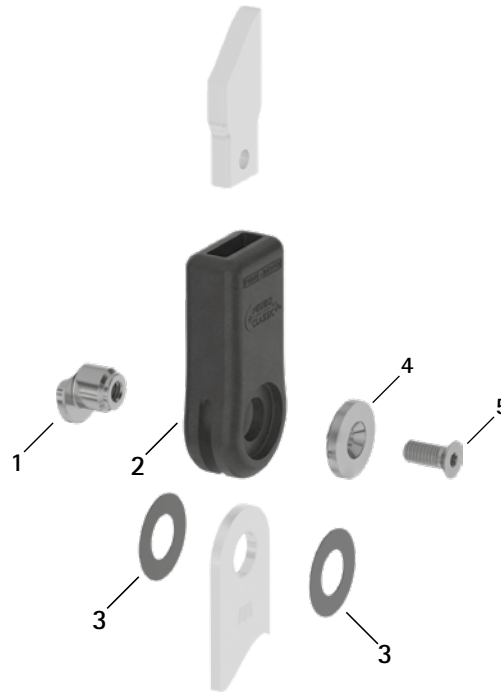
- ➔ Please order system stirrups and system anchors separately.
- ➔ You will find system stirrups on catalogue page A20.7.
- ➔ You will find special system anchors for the NEURO CLASSIC Carbon on catalogue page I9ff.



Straight
fig. 1

Straight (Fig. 1)			
Material	Leg	Unit	Article Number for System Width
carbon	left or right	piece	16mm SF1203-C/LR

Spare Parts



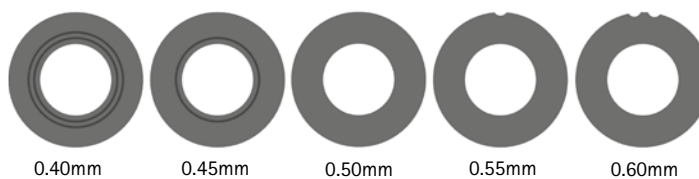
Spare Parts

Item	Article Number for System Width		Description
	16mm		
1	SF0593-C/1		bearing nut
2	SF0103-C		joint case
3	GS2413-*		sliding washer*
4	SF0593-C/2		cover disc
5	SC1406-L14		countersunk flat head screw with hexalobular socket

* Sliding Washers

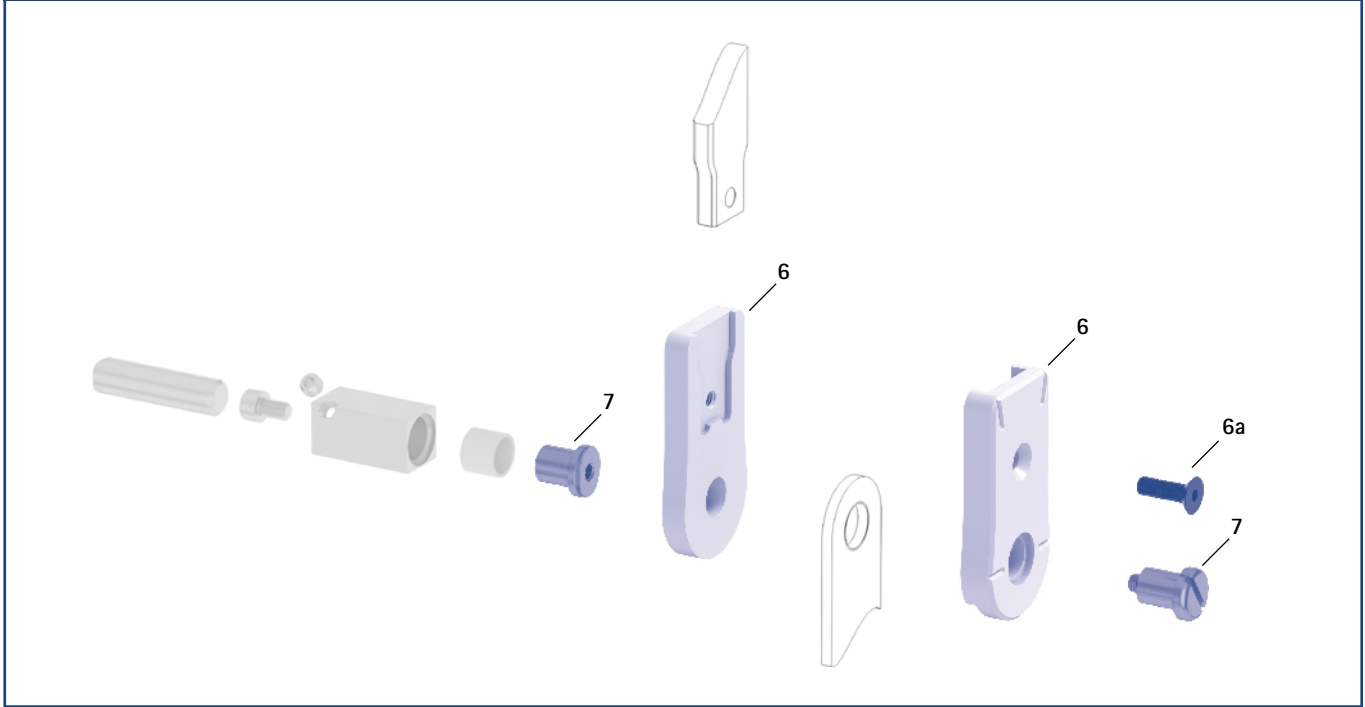
Article Number for System Width
16mm
Ø = 24mm
GS2413-040
GS2413-045
GS2413-050
GS2413-055
GS2413-060

The last three digits of the article number stand for the thickness of the sliding washer, e. g. GS2413-040. The thickness of this sliding washer is 0.40mm. In total, the sliding washers are available in five different thicknesses. The thickness of a sliding washer is indicated by the markings. For example, a sliding washer with two notches is 0.40mm thick, whereas a sliding washer with one notch is 0.55mm thick. Please use the sliding washer centring pin to position the sliding washers.



- ➔ You will find system stirrups on catalogue page A20.7.
- ➔ You will find special system anchors for the NEURO CLASSIC Carbon on catalogue page I10ff.
- ➔ You will find the sliding washer centring pin on catalogue page J11.

Assembly/Lamination Dummies and Joint Retainers



Assembly/Lamination Dummies and Joint Retainers			
Item	Article Number for System Width 16mm	Description	Unit
6	SF0913-C/LR1	assembly/lamination dummy, two parts (2 dummies with screw)	set
6a	SC1055-L16	countersunk flat head screw with hexagon socket	piece
7	PE1025-LR	joint retainer	piece
	7/C	laser marking	-

- ➔ Assembly/lamination dummies are included in the scope of delivery of the system joints.
- ➔ You will find an overview of our tools on catalogue page J1ff.
- ➔ You will also find the joint retainers and the corresponding laser markings in the tool case on the catalogue pages J13 and J14.



lamination/prepreg stirrup



side view

General Measures of the System Stirrups

Measure [mm]	System Width 16mm
thickness	3.0
neck width	26.6
bore hole diameter	13.0

Bent, Free Moving

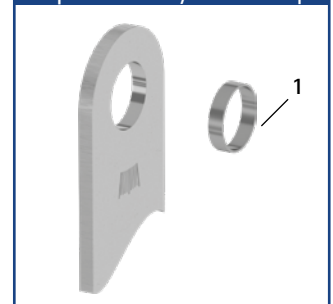
Description	Leg/Leg Side	Unit	Article Number and Measures for System Width 16mm
			FC1193-L/ST1
lamination/prepreg stirrup	left lateral or right medial	piece	FC1193-R/ST1
	left medial or right lateral		
length from the middle of the bore hole [mm]			58
weight [g]			49

Spare Parts System Stirrup

Item	Article Number for System Width 16mm		Description
	1	BR1312-L030	

→ The system stirrups of the NEURO CLASSIC Carbon system ankle joint are delivered with an integrated sliding bushing.

Spare Parts System Stirrup



Information for Processing

Lamination/Prepreg Stirrup:

→ This system stirrup is embedded into the laminate of the foot piece.



→ The system stirrup is marked with lines in the neck area in order to read the joint angle.

