

NEURO CLASSIC



NEURO VARIO

NEURO VARIO 2

NEURO VARIO-SWING

NEURO ACTIVE  
System Knee Joint

NEURO ACTIVE  
Articulated System Side Bar

NEURO CLASSIC Carbon



Main Function



monocentric, free moving with posterior offset  
- preassembled in 5° flexion

Type of Extension Stop



static extension stop

The NEURO CLASSIC Carbon is a water-resistant ultralight system knee joint made of carbon fibre-reinforced plastics.

An orthosis with a NEURO CLASSIC Carbon system knee joint can be converted into an orthosis with a NEURO LOCK Carbon system knee joint by exchanging the system joint.

The NEURO CLASSIC Carbon system knee joint can be used as a supporting joint for the NEURO LOCK Carbon system knee joint.



NEURO CLASSIC

NEURO VARIO

NEURO VARIO 2

NEURO VARIO-SWING

NEURO ACTIVE  
System Knee Joint

NEURO ACTIVE  
Articulated System Side Bar

NEURO CLASSIC Carbon

NEURO CLASSIC

NEURO VARIO



14mm

16mm

20mm

NEURO VARIO 2

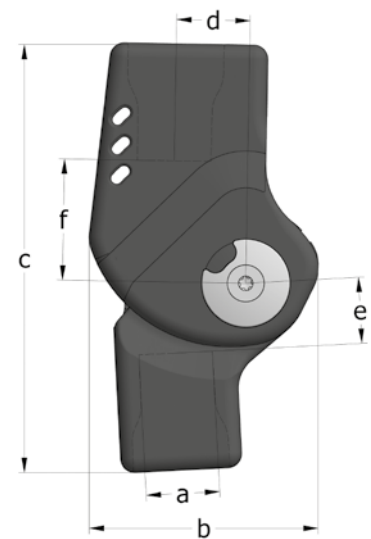
Joint Dimensions [mm]

Dimension	Description	System Width a		
		14mm	16mm	20mm
b	joint head width	45	52	62
c	joint height	91	103	118
d	posterior offset	14	16	20
e	distance pivot point – lower system case	14	18	18
f	distance pivot point – upper system case	24	29	33
	joint thickness	18	19	23

NEURO VARIO-SWING

Joint Weights [g]

Material	Unit	System Width		
		14mm	16mm	20mm
carbon	piece	49	79	133



NEURO ACTIVE  
System Knee Joint

NEURO ACTIVE  
Articulated System Side Bar

The NEURO CLASSIC Carbon system knee joint is delivered with the following articles:

- set 2-component adhesive and primer
- orthosis joint grease, 3g
- assembly/lamination dummy

➔ Please order system anchors separately.

➔ You will find special system anchors for the NEURO CLASSIC Carbon on catalogue page 110f.



straight  
fig. 1

Straight (Fig. 1)					
Material	Leg	Unit	Article Number for System Width		
			14mm	16mm	20mm
carbon	left or right	piece	SL1302-C/LR	SL1303-C/LR	SL1305-C/LR

NEURO CLASSIC

NEURO VARIO

NEURO VARIO 2

NEURO VARIO-SWING

NEURO ACTIVE  
System Knee Joint

NEURO ACTIVE  
Articulated System Side Bar

NEURO CLASSIC Carbon

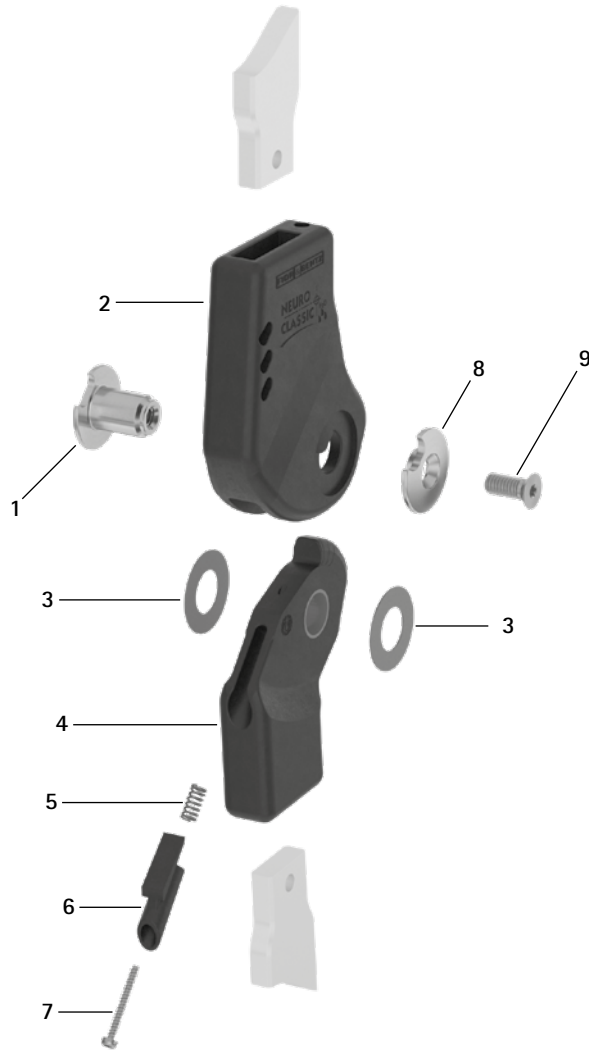
NEURO CLASSIC

NEURO VARIO

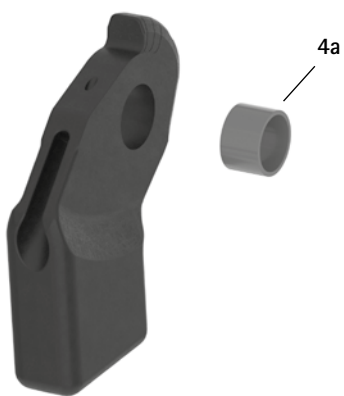
NEURO VARIO 2

NEURO VARIO-SWING

Spare Parts



Lower Part with Sliding Bushing, Preassembled (4)



NEURO ACTIVE  
System Knee Joint

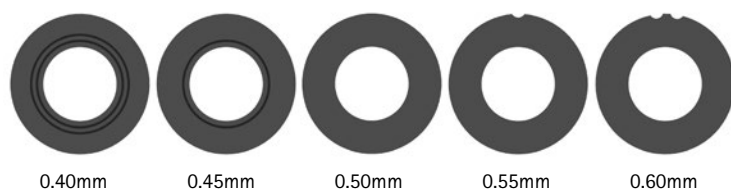
NEURO ACTIVE  
Articulated System Side Bar

NEURO CLASSIC Carbon

Item	Article Number for System Width			Description
	14mm	16mm	20mm	
1	SK0892-1/C	SK0893-1/C	SK0895-1/C	bearing nut
2	SL0102-C	SL0103-C	SL0105-C	upper part, straight, carbon
3	GS2009-*	GS2311-*	GS2413-*	sliding washer*
4	SK0812-2/C	SK0813-2/C	SK0815-2/C	5° lower part with sliding bushing, straight, carbon-titanium hybrid
4a	BP1009-L059	BP1211-L077	BP1412-L090	sliding bushing
5	FE1510-02	FE1510-02	FE1510-02	pressure spring
6	SK9802-E005/C	SK9803-E005/C	SK9805-E005/C	5° extension stop
7	SC4402-L22	SC4402-L22	SC4402-L22	cheese head screw
8	SK0892-2/C	SK0893-2/C	SK0895-2/C	cover disc
9	SC1404-L10	SC1405-L14	SC1406-L14	countersunk flat head screw with hexalobular socket

* Sliding Washers			
	Article Number for System Width		
	14mm	16mm	20mm
$\varnothing = 20\text{mm}$	$\varnothing = 23\text{mm}$	$\varnothing = 24\text{mm}$	
GS2009-040	GS2311-040	GS2413-040	
GS2009-045	GS2311-045	GS2413-045	
GS2009-050	GS2311-050	GS2413-050	
GS2009-055	GS2311-055	GS2413-055	
GS2009-060	GS2311-060	GS2413-060	

The last three digits of the article number stand for the thickness of the sliding washer, e.g. GS2009-040. The thickness of this sliding washer is 0.40mm. In total, the sliding washers are available in five different thicknesses. The thickness of a sliding washer is indicated by the markings. For example, a sliding washer with two notches is 0.40mm thick, whereas a sliding washer with one notch is 0.55mm thick. Please use the sliding washer centring pin to position the sliding washers.



➔ You will find special system anchors for the NEURO CLASSIC Carbon on catalogue page I10f.

NEURO CLASSIC

NEURO VARIO

NEURO VARIO 2

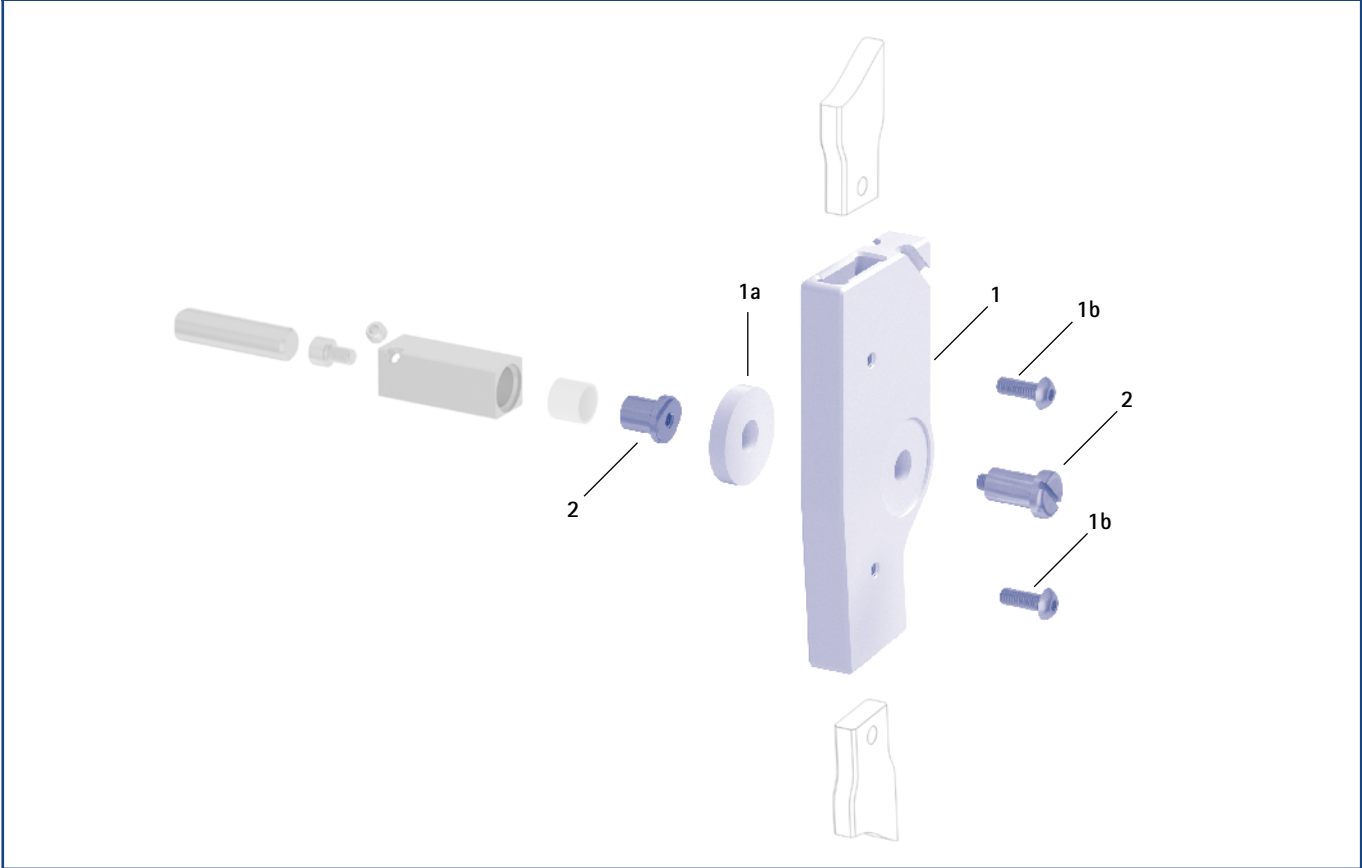
NEURO VARIO-SWING

NEURO ACTIVE  
System Knee Joint

NEURO ACTIVE  
Articulated System Side Bar

NEURO CLASSIC Carbon

Assembly/Lamination Dummies and Joint Retainers



Assembly/Lamination Dummies and Joint Retainers					
Item	Article Number for System Width			Description	Unit
	14mm	16mm	20mm		
1	SK0982-C/LR1	SK0983-C/LR1	SK0985-C/LR1	assembly/lamination dummy (1 dummy with distance ring and two screws)	piece
1a	SK0982-C/LR/2	SK0983-C/LR/2	SK0985-C/LR/2	distance ring for assembly/lamination dummy	piece
1b	SC0005-L12	SC0005-L12	SC0005-L14	pan head screw with hexagon socket	piece
2	PE1012-LR	PE1122-LR	PE1123-LR	joint retainer	piece
	4/B	10/B	9/C	laser marking	-

- ➔ Assembly/lamination dummies are included in the scope of delivery of the system joints.
- ➔ You will find an overview of our tools on catalogue page J1ff.
- ➔ You will also find the joint retainers and the corresponding laser markings in the tool case on the catalogue pages J13 and J14.

# Dirt- and Water-Resistant Carbon System Knee Joints



The NEURO CLASSIC Carbon system knee joint can be found from catalogue page E70.1.

The NEURO LOCK Carbon system knee joint can be found from catalogue page G50.1.