

Product Catalogue

# NEURO SWING FIT TEST-AFO





<p><b>Description</b></p>	<p>The NEURO SWING FIT TEST-AFO is a reproduced ankle-foot orthosis which is used for a later treatment with an AFO with a system ankle joint with dynamic dorsiflexion and plantar flexion stop, such as the NEURO SWING. The test orthosis is not suitable for permanent patient treatment or for sale to patients.</p>
<p><b>Features</b></p>	<ul style="list-style-type: none"> <li>- premounted water-resistant NEURO SWING Carbon system ankle joint</li> <li>- antimicrobial lower leg shell padding with a towelling coating and a velour coating</li> <li>- adjustable hook and loop fastener for fixing orthoses on the leg</li> </ul>
<p><b>Material</b></p>	<ul style="list-style-type: none"> <li>- lower leg shell and foot piece made of resistant carbon fibre reinforced plastics</li> <li>- integrated system anchor made of high-strength aluminium</li> <li>- integrated system stirrup made of stainless steel</li> </ul>

The NEURO SWING FIT TEST-AFO is premounted and delivered in two cloth bags for orthoses.

- ➔ The NEURO SWING FIT TEST-AFO is only available as a set consisting of a left and a right test orthosis.
- ➔ The NEURO SWING FIT TEST-AFO will be delivered as a set including 5 spring units in total in the respective system width.
- ➔ The NEURO SWING FIT TEST-AFO will be delivered with 11 hook dots.

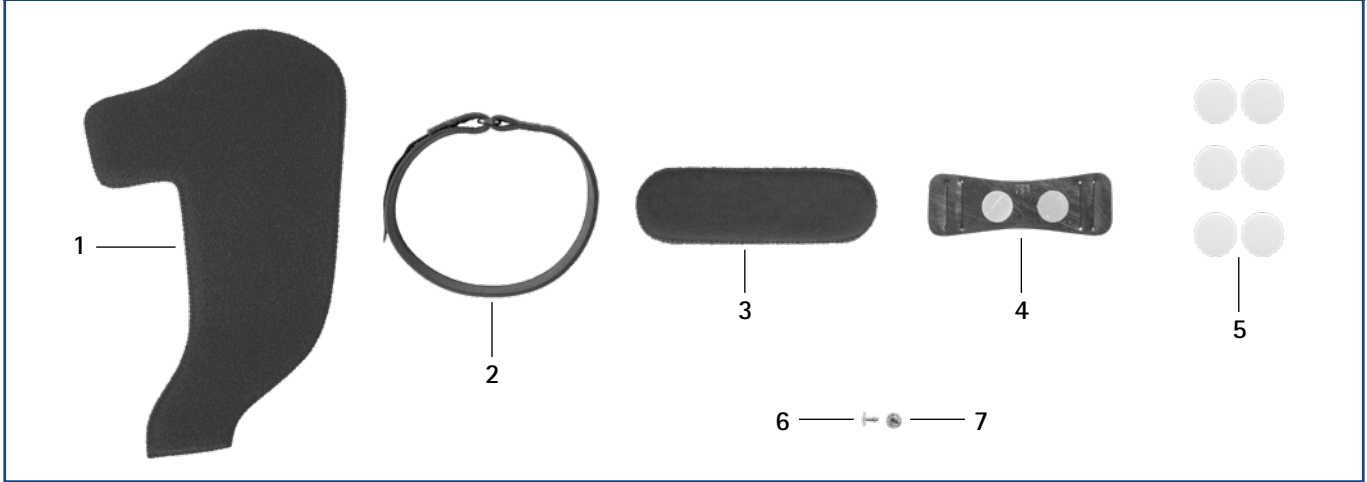


Set NEURO SWING FIT TEST-AFO*				Article Number for System Width		
Leg	Unit	Shoe Size	Orthosis Size	14mm	16mm	20mm
left right	set	29-31	XXS	AC5202-XXS/LR	-	-
left right	set	32-34	XS	AC5202-XS/LR	-	-
left right	set	35-37	S	-	AC5203-S/LR	-
left right	set	38-40	M	-	AC5203-M/LR	-
left right	set	41-43	L	-	-	AC5205-L/LR
left right	set	44-46	XL	-	-	AC5205-XL/LR

\* Determine the shoe size and select the respective orthosis size. For patients with a heavy body weight or of sturdy build, it may be necessary to select a larger orthosis size.

The NEURO SWING FIT TEST-AFO is to be worn with a knee stocking or a knee high compression stocking

Spare Parts Padding Set

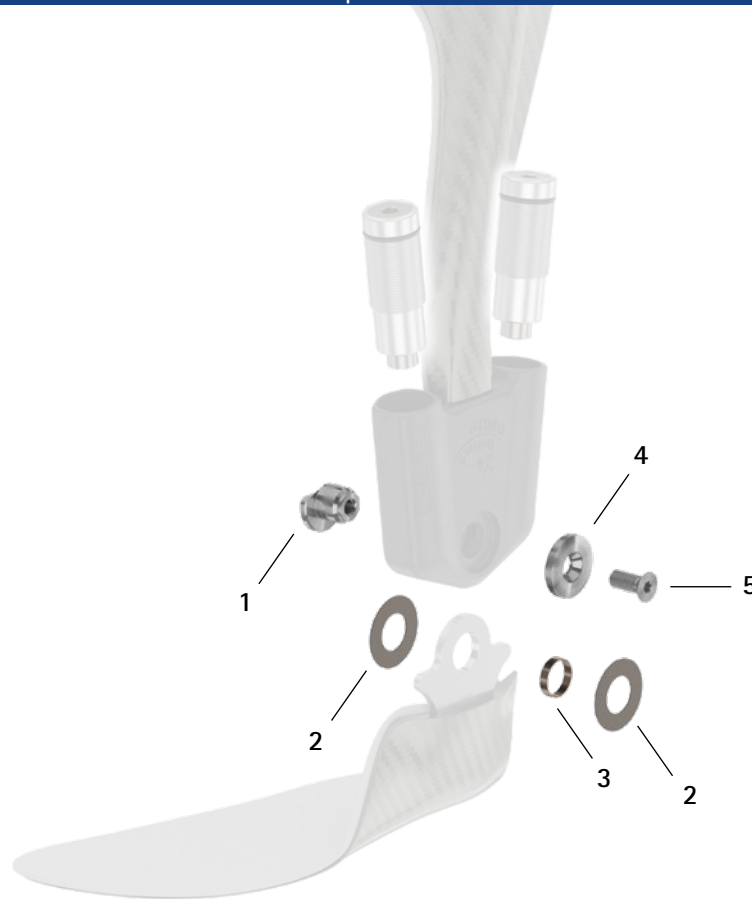


Padding Set*				
Article Number for System Width		Orthosis Size	Padding Set Components	Item
14mm, left	14mm, right			
AC5202-XXS/P/L	AC5202-XXS/P/R	XXS	PL3751-XXS/L (pre-cut padding material, black, left)	1
			PL3751-XXS/R (pre-cut padding material, black, right)	
			KV1004-L400 (hook and loop fastener with loop)	2
			GP1000-L090 (strap pad)	3
			GP1201-L070 (strap pad holder)	4
			KV0020-22/06 (6 x hook dots, self-adhesive, transparent)	5
			NI2111-L04 (upper part for hollow rivet)	6
NI2011-L08 (lower part for hollow rivet)	7			
AC5202-XS/P/L	AC5202-XS/P/R	XS	PL3752-XS/L (pre-cut padding material, black, left)	1
			PL3752-XS/R (pre-cut padding material, black, right)	
			KV1004-L450 (hook and loop fastener with loop)	2
			GP1000-L090 (strap pad)	3
			GP1201-L070 (strap pad holder)	4
			KV0020-22/06 (6 x hook dots, self-adhesive, transparent)	5
			NI2111-L04 (upper part for hollow rivet)	6
NI2011-L08 (lower part for hollow rivet)	7			
AC5203-S/P/L	AC5203-S/P/R	S	PL3753-S/L (pre-cut padding material, black, left)	1
			PL3753-S/R (pre-cut padding material, black, right)	
			KV1004-L500 (hook and loop fastener with loop)	2
			GP1000-L130 (strap pad)	3
			GP1201-L100 (strap pad holder)	4
			KV0020-22/06 (6 x hook dots, self-adhesive, transparent)	5
			NI2111-L04 (upper part for hollow rivet)	6
NI2011-L08 (lower part for hollow rivet)	7			
AC5203-M/P/L	AC5203-M/P/R	M	PL3753-M/L (pre-cut padding material, black, left)	1
			PL3753-M/R (pre-cut padding material, black, right)	
			KV1004-L500 (hook and loop fastener with loop)	2
			GP1000-L130 (strap pad)	3
			GP1201-L100 (strap pad holder)	4
			KV0020-22/06 (6 x hook dots, self-adhesive, transparent)	5
			NI2111-L04 (upper part for hollow rivet)	6
NI2011-L08 (lower part for hollow rivet)	7			

20mm, left	20mm, right	Orthosis Size	Padding Set Components	Item
AC5205-L/P/L	AC5205-L/P/R	L	PL3755-L/L (pre-cut padding material, black, left)	1
			PL3755-L/R (pre-cut padding material, black, left)	
			KV1004-L550 (hook and loop fastener with loop)	2
			GP1000-L130 (strap pad)	3
			GP1201-L100 (strap pad holder)	4
			KV0020-22/06 (6 x hook dots, self-adhesive, transparent)	5
			NI2111-L04 (upper part for hollow rivet)	6
NI2011-L08 (lower part for hollow rivet)	7			
AC5205-XL/P/L	AC5205-XL/P/R	XL	PL3755-XL/L (pre-cut padding material, black, left)	1
			PL3755-XL/R (pre-cut padding material, black, right)	
			KV1004-L550 (hook and loop fastener with loop)	2
			GP1000-L170 (strap pad)	3
			GP1201-L130 (strap pad holder)	4
			KV0020-22/06 (6 x hook dots, self-adhesive, transparent)	5
			NI2111-L04 (upper part for hollow rivet)	6
NI2011-L08 (lower part for hollow rivet)	7			

\* The padding set contains the pre-cut padding material (left or right depending on the order) made of xDRY towelling padding material, the hook and loop fastener with loop, the strap pad, the strap pad holder with 2 self-adhesive hook dots, 6 hook dots as well as the upper and lower part for the hollow rivet.

Spare Parts



Spare Parts

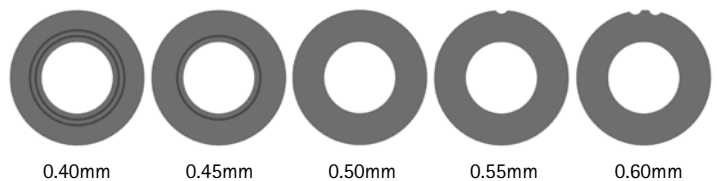
Item	Article Number for System Width			Description
	14mm	16mm	20mm	
1	SF0592-C/1	SF0593-C/1	SF0595-C/1	bearing nut
2	GS1911-*	GS2413-*	GS2815-*	sliding washer*
3	BR1211-L025	BR1514-L030	BR1514-L030	sliding bushing
4	SF0592-C/2	SF0593-C/2	SF0595-C/2	cover disc
5	SC1405-L11	SC1406-L14	SC1406-L14	countersunk flat head screw with hexalobular socket

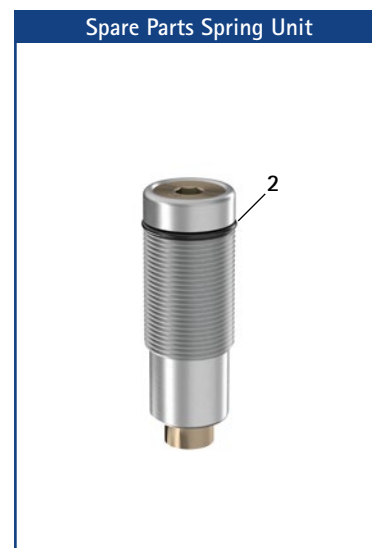
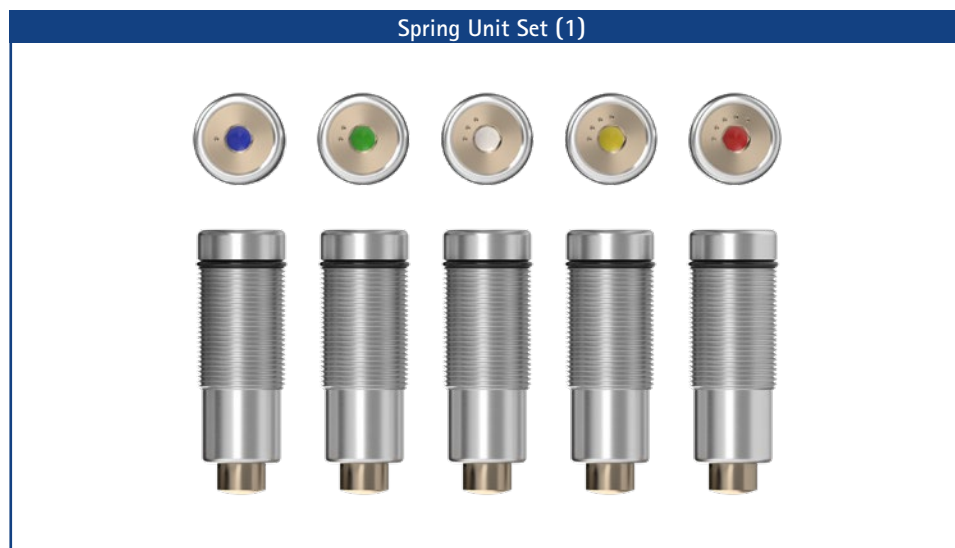
\* Sliding Washers

	Article Number for System Width		
	14mm	16mm	20mm
	Ø = 19mm	Ø = 24mm	Ø = 28mm
	GS1911-040	GS2413-040	GS2815-040
	GS1911-045	GS2413-045	GS2815-045
	GS1911-050	GS2413-050	GS2815-050
	GS1911-055	GS2413-055	GS2815-055
	GS1911-060	GS2413-060	GS2815-060

The last three digits of the article number stand for the thickness of the sliding washer, e. g. GS1911-040. The thickness of this sliding washer is 0.40mm. In total, the sliding washers are available in five different thicknesses. The thickness of a sliding washer is indicated by the markings. For example, a sliding washer with two notches is 0.40mm thick, whereas a sliding washer with one notch is 0.55mm thick. Please use the sliding washer centring pin to position the sliding washer centring pin (article no.: WE5500).

Sliding Washer Centring Pin





➔ You will find the spring unit case for the NEURO SWING Carbon in the Product Catalogue System Joints and Articulated System Side Bars on catalogue page C60.6.

Spring Unit Case		Spring Unit Set Components	
System Width	Article Number	Article Number	Description
14mm	SF5812-C	SF5802-C/15/05	spring unit, blue, normal, max. 15° range of motion**
		SF5802-C/15/11	spring unit, green, medium, max. 15° range of motion**
		SF5802-C/09/16	spring unit, white, strong, max. 10° range of motion**
		SF5802-C/10/29	spring unit, yellow, very strong, max. 10° range of motion**
		SF5802-C/05/53	spring unit, red, extra strong, max. 5° range of motion**
16mm	SF5813-C	SF5803-C/15/07	spring unit, blue, normal, max. 15° range of motion**
		SF5803-C/15/15	spring unit, green, medium, max. 15° range of motion**
		SF5803-C/10/21	spring unit, white, strong, max. 10° range of motion**
		SF5803-C/10/31	spring unit, yellow, very strong, max. 10° range of motion**
		SF5803-C/05/63	spring unit, red, extra strong, max. 5° range of motion**
20mm	SF5815-C	SF5805-C/15/18	spring unit, blue, normal, max. 15° range of motion**
		SF5805-C/15/25	spring unit, green, medium, max. 15° range of motion**
		SF5805-C/10/40	spring unit, white, strong, max. 10° range of motion**
		SF5805-C/10/60	spring unit, yellow, very strong, max. 10° range of motion**
		SF5805-C/05/99	spring unit, red, extra strong, max. 5° range of motion**

\* The spring unit set consists of 5 spring units in the respective system width.

\*\* You need two of the spring units for the NEURO SWING Carbon system ankle joint.

Static Dorsiflexion Stop					
Item.	Article Number for System Width			Description	Unit
	14mm	16mm	20mm		
w/o fig.	-	SF5803-C/0	SF5805-C/0	static dorsiflexion stop, black, 0° range of motion	piece

Spare Parts Spring Units and Static Dorsiflexion Stop					
Item.	Article Number for System Width			Description	
	14mm	16mm	20mm		
2	VE3771-100/12	VE3771-12/12	VE3771-140/15	O-ring for securing the spring unit and the static dorsiflexion stop***	

\*\*\* An additional O-ring is part of the scope of delivery of the spring units.



# Orthosis Configurator

KT3001-GB-2026-04

**FIOR & GENTZ**

Dorette-von-Stern-Straße 5  
21337 Lüneburg (Germany)

☎ +49 4131 24445-0  
📠 +49 921 95659554

✉ info@fior-gentz.de  
🌐 www.fior-gentz.com

