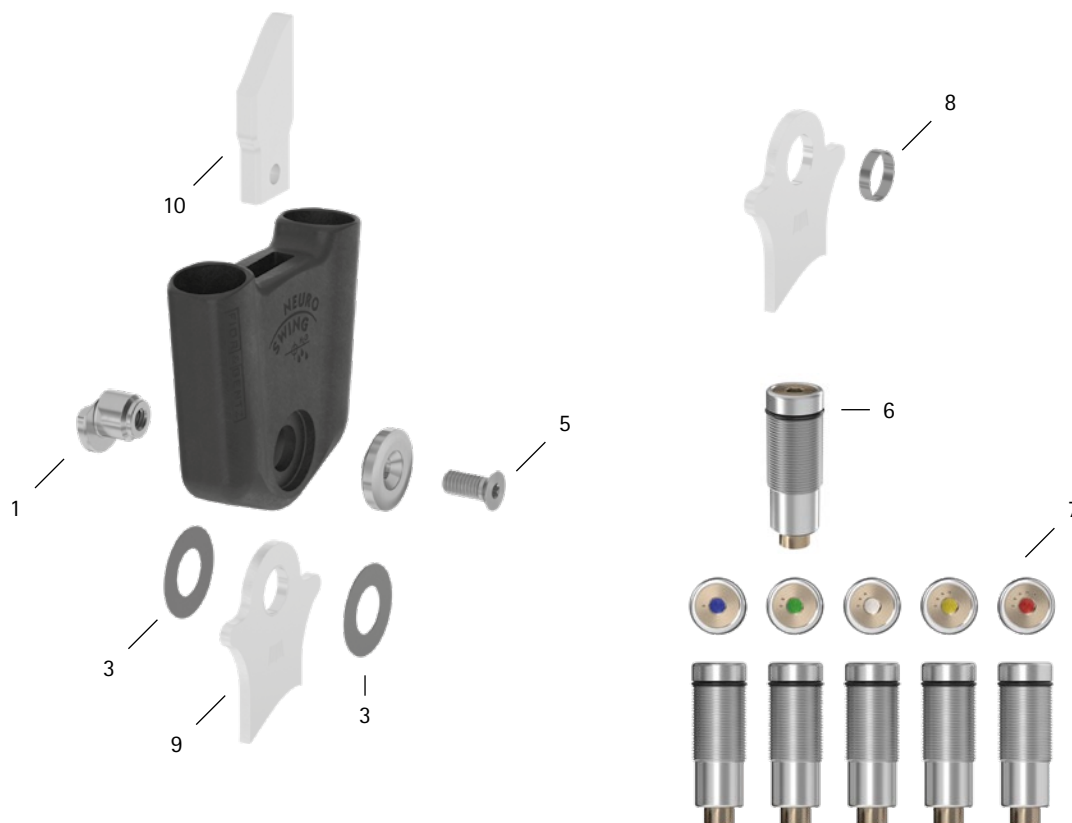


patient commission/configuration ID _____



Item	14mm	Description	Potential Problem	Measure	Recommended Inspection, Potential Replacement*	Latest Replacement after
System Joint						
1	SF0592-C/1	bearing nut	wear	replacing	every 6 months	36 months
3	GS1911-040	sliding washer, $\varnothing = 19\text{mm}$	wear	replacing	every 6 months	18 months
3	GS1911-045					
3	GS1911-050					
3	GS1911-055					
3	GS1911-060					
5	SC1405-L11	countersunk flat head screw with hexalobular socket	wear	replacing	every 6 months	36 months
Spring Units						
6	VE3771-100/12	O-ring for securing the spring unit	wear	replacing	every 6 months	18 months
7	SF5802-C/15/05	spring unit, blue, normal, max. 15° range of motion	noise of spring unit	replacing	every 6 months	18 months
7	SF5802-C/15/11	spring unit, green, medium, max. 15° range of motion				
7	SF5802-C/09/16	spring unit, white, strong, max. 10° range of motion				
7	SF5802-C/10/29	spring unit, yellow, very strong, max. 10° range of motion				
7	SF5802-C/05/53	spring unit, red, extra strong, max. 5° range of motion				
System Stirrups, System Anchors and System Side Bars						
8	BR1211-L025	sliding bushing	wear	replacing	every 6 months	18 months
9	see catalogue	system stirrup	wear or breakage	replacing	every 6 months	48 months
10	see catalogue	system anchor and system side bar	wear or breakage	replacing	every 6 months	if required
-	-	adhesive bond (system side bar/system anchor and system joint)	breakage	adhering new carbon system component	every 6 months	if required

* depending on the assessment of the distributor of the custom-made product regarding the patient's usage behaviour