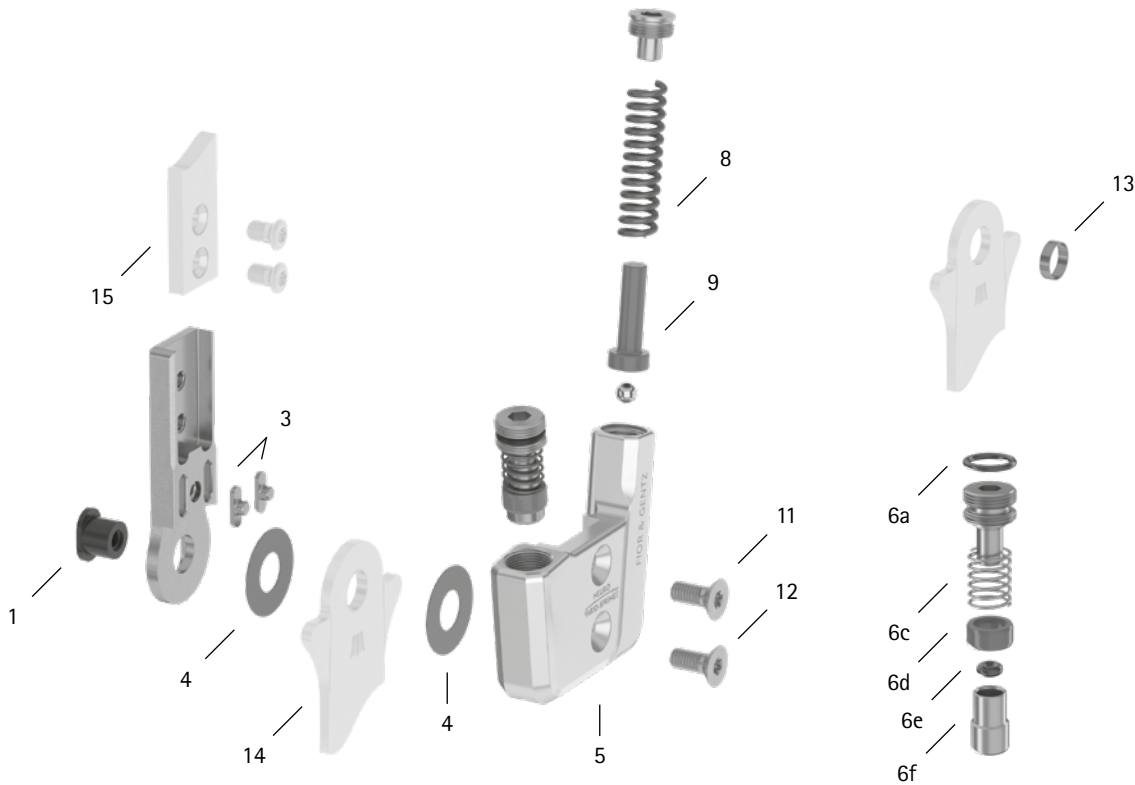


patient commission/configuration ID _____



Item	14mm	Description	Potential Problem	Measure	Recommended Inspection, Potential Replacement*	Latest Replacement after
System Joint						
1	SB8559-L0630	bearing nut	wear	replacing	every 6 months	36 months
3	SF0392-02	feather key with pin	breakage	replacing	every 6 months	36 months
4	GS2009-040	sliding washer, Ø = 20mm	wear	replacing	every 6 months	18 months
4	GS2009-045					
4	GS2009-050					
4	GS2009-055					
4	GS2009-060					
5	SF0862-L/AL	cover plate, left lateral or right medial**	wear	replacing	every 6 months	36 months
5	SF0862-R/AL	cover plate, left medial or right lateral**	wear	replacing	every 6 months	36 months
6a	VE3771-08/15	O-ring for securing the alignment screw**	wear	replacing	every 6 months	18 months
6c	FE1916-01	pressure spring**	wear	replacing	every 6 months	18 months
6d	GS1007-350	sliding bushing**	wear	replacing	every 6 months	18 months
6e	VE3771-010/20	O-ring damper**	wear	replacing	every 6 months	18 months
6f	SH0492-01	plunger**	wear	replacing	every 6 months	36 months
8	FE2736-01	pressure spring, golden**	wear	replacing	every 6 months	18 months
9	SF0842-08	pin**	wear	replacing	every 6 months	36 months
11	SC1405-L11	countersunk flat head screw with hexalobular socket**	wear	replacing	every 6 months	36 months
12	SC1405-L11	countersunk flat head screw with hexalobular socket (axle screw)**				
5-12	SF8972-L/AL	functional unit plug + go modularity, left lateral or right medial***	loss of function, wear	replacing	every 6 months	36 months
5-12	SF8972-R/AL	functional unit plug + go modularity, left medial or right lateral***				
System Stirrups, System Anchors and System Side Bars						
13	BR1009-L025	sliding bushing	wear	replacing	every 6 months	18 months
14	see catalogue	system stirrup	wear or breakage	replacing	every 6 months	48 months
15	see catalogue	system anchor and system side bar	wear or breakage	replacing	every 6 months	if required

* depending on the assessment of the distributor of the custom-made product regarding the patient's usage behaviour

** is part of the functional unit

*** included system components can be exchanged separately

WP0043-GB-2024-04