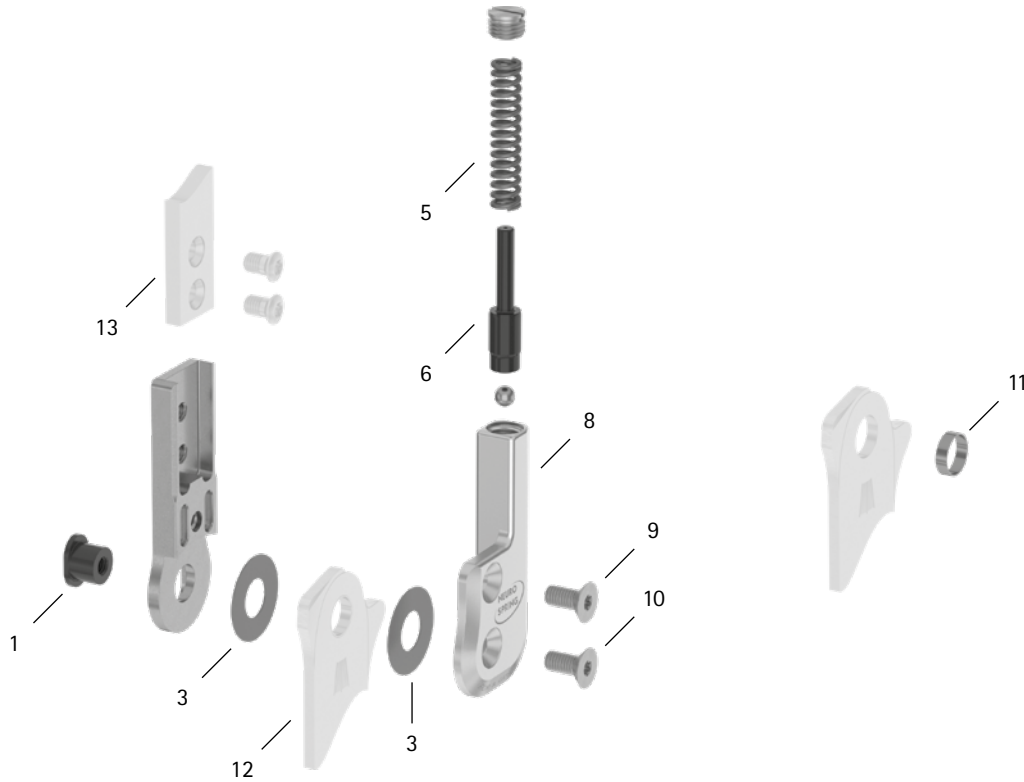


patient commission/configuration ID \_\_\_\_\_



Item	14mm	Description	Potential Problem	Measure	Recommended Inspection, Potential Replacement*	Latest Replacement after
<b>System Joint</b>						
1	SB8559-L0580	bearing nut	wear	replacing	every 6 months	36 months
3	GS2009-040	sliding washer, Ø = 20mm	wear	replacing	every 6 months	18 months
3	GS2009-045					
3	GS2009-050					
3	GS2009-055					
3	GS2009-060					
5	FE1634-02	pressure spring, golden	wear	replacing	every 6 months	18 months
6	SF0342-75	pin	wear	replacing	every 6 months	36 months
8	SF0362-L/AL	cover plate, left lateral or right medial	wear	replacing	every 6 months	36 months
8	SF0362-R/AL	cover plate, left medial or right lateral				
9	SC1405-L10	countersunk flat head screw with hexalobular socket	wear	replacing	every 6 months	36 months
10	SC1405-L10	countersunk flat head screw with hexalobular socket (axle screw)				
<b>System Stirrups, System Anchors and System Side Bars</b>						
11	BR1009-L025	sliding bushing	wear	replacing	every 6 months	18 months
12	see catalogue	system stirrup	wear or breakage	replacing	every 6 months	48 months
13	see catalogue	system anchor and system side bar	wear or breakage	replacing	every 6 months	if required

\* depending on the assessment of the distributor of the custom-made product regarding the patient's usage behaviour

WP0015-GB-2023-01