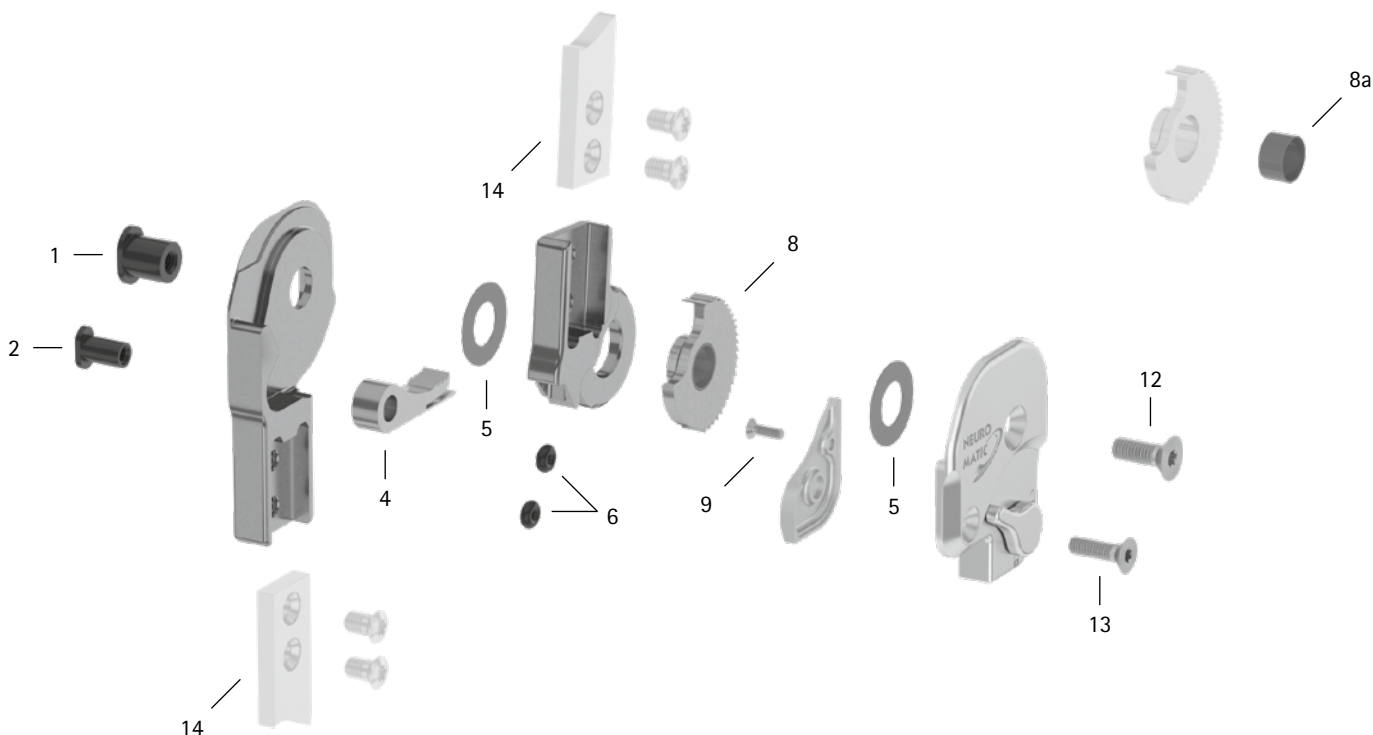


patient commission/configuration ID _____



Item	20mm	Description	Potential Problem	Measure	Recommended Inspection, Potential Replacement*	Latest Replacement after
System Joint						
1	SB1069-L1000	bearing nut (joint axis)	wear	replacing	every 6 months	36 months
2	SB8559-L1000	bearing nut (locking pawl)	wear	replacing	every 6 months	36 months
4	SK0375-2	locking pawl	wear of the teeth	replacing	every 3 months	12 months at activity level 1 and 2 9 months at activity level 3 6 months at activity level 4
5	GS2411-040	sliding washer, $\varnothing = 24\text{mm}$	wear	replacing	every 6 months	18 months
5	GS2411-045					
5	GS2411-050					
5	GS2411-055					
5	GS2411-060					
6	VE3771-D/012/26	O-ring damper set	wear	replacing	every 6 months	18 months
8	SK0365-2L	toothed ring with sliding bushing, left lateral or right medial, titanium	wear of the teeth	replacing	every 3 months	12 months at activity level 1 and 2 9 months at activity level 3 6 months at activity level 4
8	SK0365-2R	toothed ring with sliding bushing, left medial or right lateral, titanium				
8a	BP1211-L059	sliding bushing	wear	replacing	every 6 months	18 months
9	SC1403-L08/1	countersunk flat head screw with hexalobular socket**	wear	replacing	every 6 months	36 months
12	SC1406-L14	countersunk flat head screw with hexalobular socket (axle screw)**	wear	replacing	every 6 months	36 months
13	SC1405-L14	countersunk flat head screw with hexalobular socket**				
9-13	SK3383-L	functional unit plug + go modularity left lateral or right medial***	loss of function, wear	replacing	every 6 months	36 months
9-13	SK3383-R	functional unit plug + go modularity left medial or right lateral***				
System Anchors and System Side Bars						
14	see catalogue	system anchor and system side bar	wear or breakage	replacing	every 6 months	if required

* depending on the assessment of the distributor of the custom-made product regarding the patient's usage behaviour

** is part of the functional unit

*** included system components can be exchanged separately

WP0111-GB-2025-01