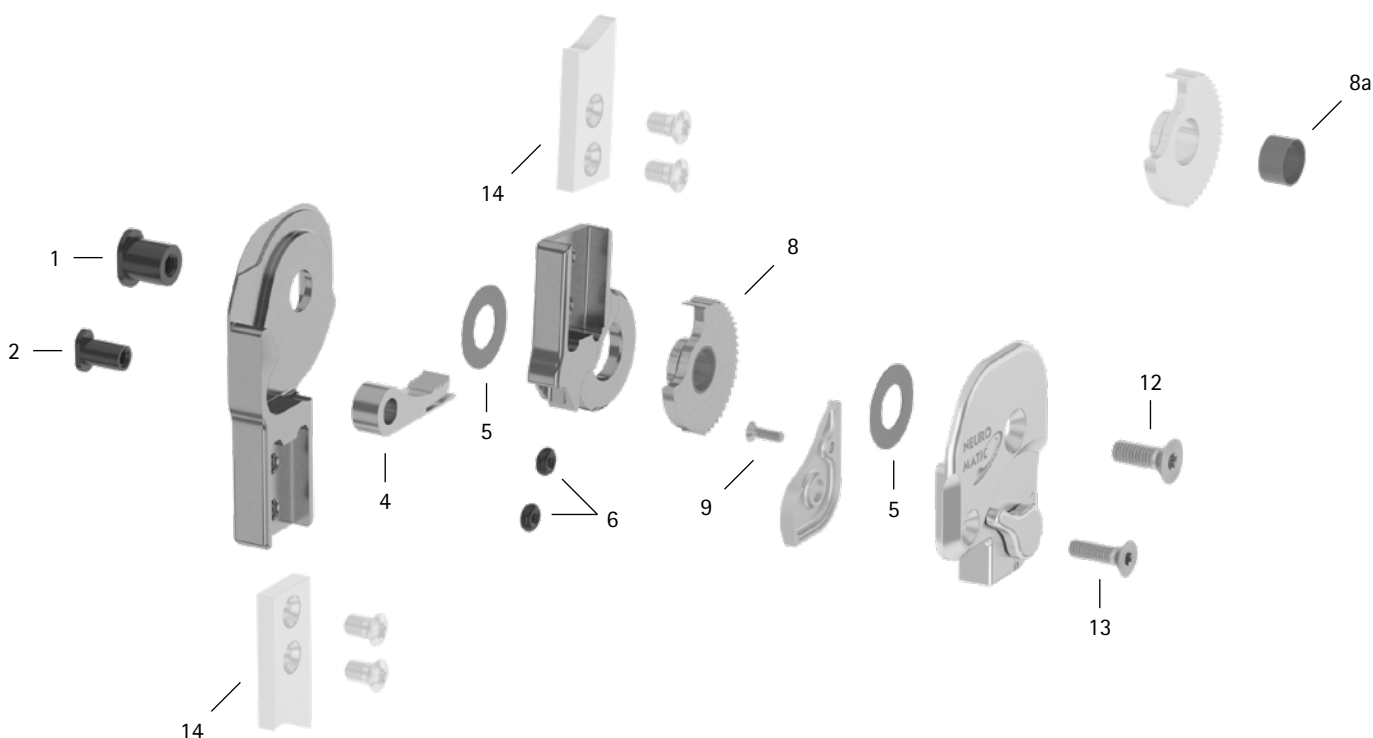


patient commission/configuration ID _____



Item	16mm	Description	Potential Problem	Measure	Recommended Inspection, Potential Replacement*	Latest Replacement after
System Joint						
1	SB9669-L0990	bearing nut (joint axis)	wear	replacing	every 6 months	36 months
2	SB6049-L0990	bearing nut (locking pawl)	wear	replacing	every 6 months	36 months
4	SK0373	locking pawl	wear of the teeth	replacing	every 3 months	12 months at activity level 1 and 2 9 months at activity level 3 6 months at activity level 4
5	GS1910-040	sliding washer, $\varnothing = 19\text{mm}$	wear	replacing	every 6 months	18 months
5	GS1910-045					
5	GS1910-050					
5	GS1910-055					
5	GS1910-060					
6	VE3771-D/012/26	O-ring damper set	wear	replacing	every 6 months	18 months
8	SK0363-2L	toothed ring with sliding bushing, left lateral or right medial, titanium	wear of the teeth	replacing	every 3 months	12 months at activity level 1 and 2
8	SK0363-2R	toothed ring with sliding bushing, left medial or right lateral, titanium				9 months at activity level 3
8a	BP1110-L059	sliding bushing				6 months at activity level 4
9	SC1403-L08/1	countersunk flat head screw with hexalobular socket**	wear	replacing	every 6 months	36 months
12	SC1405-L14	countersunk flat head screw with hexalobular socket (axle screw)**	wear	replacing	every 6 months	36 months
13	SC1404-L14	countersunk flat head screw with hexalobular socket**				
9-13	SK3383-L	functional unit plug + go modularity left lateral or right medial***	loss of function, wear	replacing	every 6 months	36 months
9-13	SK3383-R	functional unit plug + go modularity left medial or right lateral***				
System Anchors and System Side Bars						
14	see catalogue	system anchor and system side bar	wear or breakage	replacing	every 6 months	if required

* depending on the assessment of the distributor of the custom-made product regarding the patient's usage behaviour

** is part of the functional unit

*** included system components can be exchanged separately

WP0110-GB-2025-01