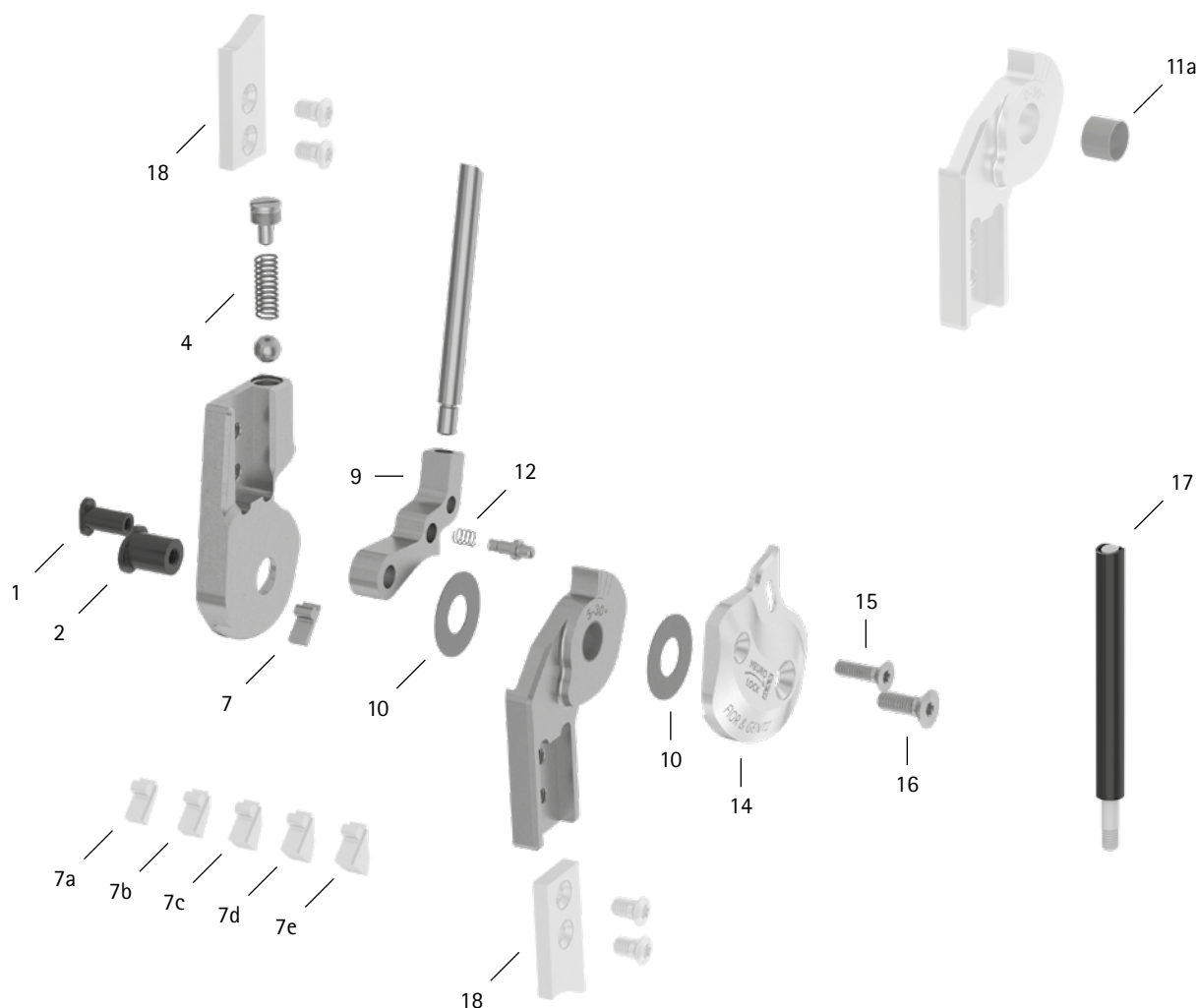


patient commission/configuration ID \_\_\_\_\_



Item	16mm	Description	Potential Problem	Measure	Recommended Inspection, Potential Replacement*	Latest Replacement after
<b>System Joint</b>						
1	SB6049-L1130	bearing nut (locking pawl)	wear	replacing	every 6 months	36 months
2	SB9669-L1130	bearing nut (joint axis)				
4	FE1527-01	pressure spring	wear	replacing	every 6 months	18 months
7	SK9803-E005	5° extension stop	wear	replacing	every 6 months	if required
7a	SK9803-E010	10° extension stop				
7b	SK9803-E015	15° extension stop				
7c	SK9803-E020	20° extension stop				
7d	SK9803-E025	25° extension stop				
7e	SK9803-E030	30° extension stop				

WPF0102-GB-2023-01

patient commission/configuration ID \_\_\_\_\_

Item	16mm	Description	Potential Problem	Measure	Recommended Inspection, Potential Replacement*	Latest Replacement after
9	SK0773-L/038	locking pawl**	wear	replacing	every 6 months	36 months
9	SK0773-L/050					
9	SK0773-L/063					
9	SK0773-L/075					
9	SK0773-L/088					
9	SK0773-L/100					
10	GS2210-040	sliding washer, Ø = 22mm	wear	replacing	every 6 months	18 months
10	GS2210-045					
10	GS2210-050					
10	GS2210-055					
10	GS2210-060					
11a	BP1110-L078	sliding bushing	wear	replacing	every 6 months	18 months
12	FE1411-02	pressure spring	wear	replacing	every 6 months	18 months
14	SK0863-2L/AL	cover plate, left lateral or right medial, aluminium	wear	replacing	every 6 months	36 months
14	SK0863-2R/AL	cover plate, left medial or right lateral, aluminium				
15	SC1404-L14	countersunk flat head screw with hexalobular socket	wear	replacing	every 6 months	36 months
16	SC1405-L14	countersunk flat head screw with hexalobular socket (axle screw)				
<b>Pulling Cable (If Existing). You need one pulling cable adaptor for each locking pawl to mount a pulling cable on.</b>						
17	ZS1000-L400	pulling cable, nylon cable with cover, 400mm	wear	replacing	every 6 months	36 months
17	ZS1000-L500	pulling cable, nylon cable with cover, 500mm				
17	ZS1000-L600	pulling cable, nylon cable with cover, 600mm				
17	ZS1000-L700	pulling cable, nylon cable with cover, 700mm				
17	ZS1100-L400	pulling cable, separable through coupler, 400mm				
17	ZS1100-L500	pulling cable, separable through coupler, 500mm				
<b>System Anchors and System Side Bars</b>						
18	see catalogue	system anchor and system side bar	wear or breakage	replacing	every 6 months	if required

\* depending on the assessment of the distributor of the custom-made product regarding the patient's usage behaviour

\*\* If you need a locking pawl for right lateral or left medial as opposed to a locking pawl for left lateral or right medial listed here, you have to replace the L in the article number with an R. Example: SK0773-R/038.