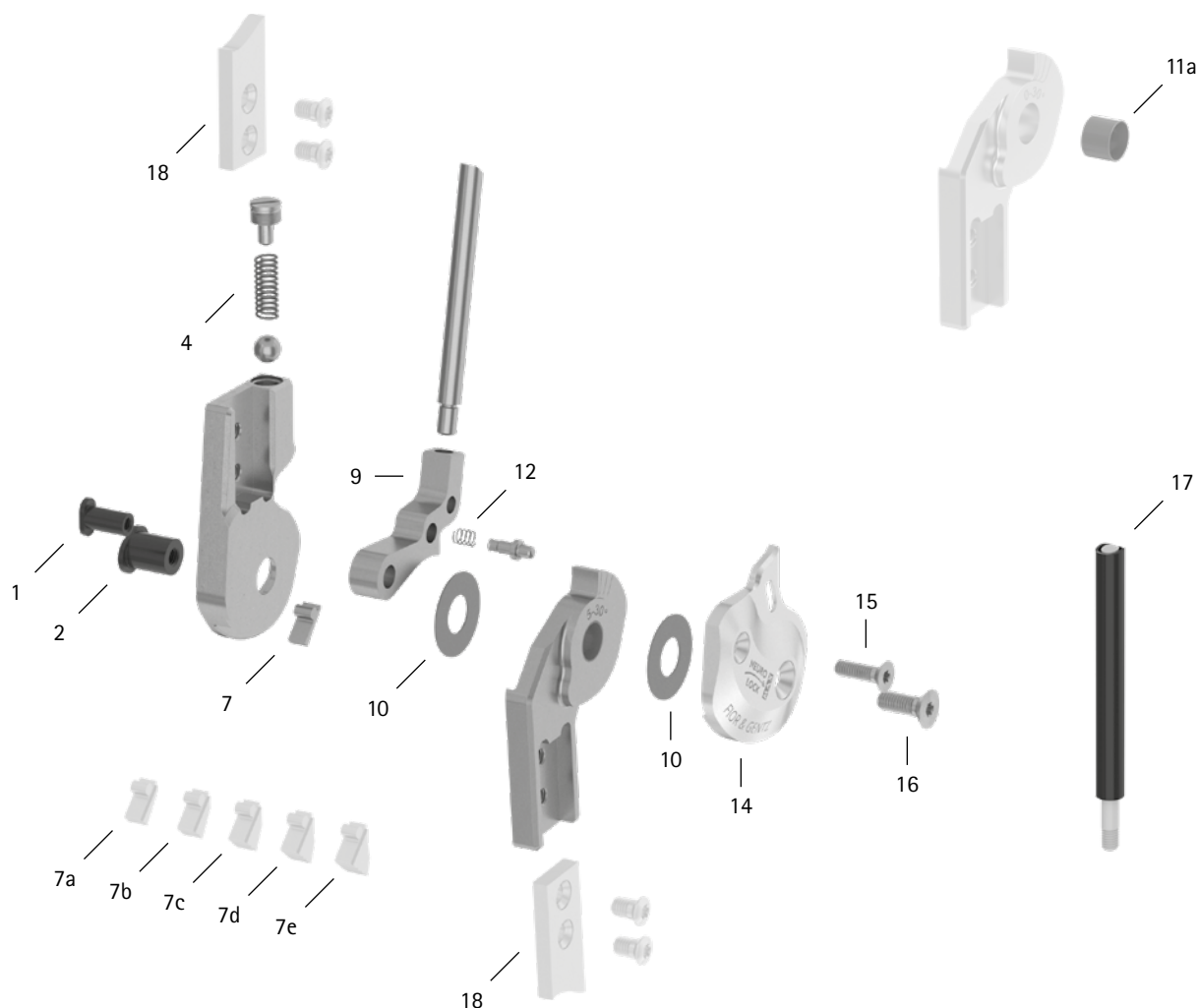


patient commission/configuration ID _____



Item	14mm	Description	Potential Problem	Measure	Recommended Inspection, Potential Replacement*	Latest Replacement after
System Joint						
1	SB6049-L0950	bearing nut (locking pawl)	wear	replacing	every 6 months	36 months
2	SB8559-L0950	bearing nut (joint axis)				
4	FE1414-01	pressure spring	wear	replacing	every 6 months	18 months
7	SK9801-E005	5° extension stop	wear	replacing	every 6 months	if required
7a	SK9802-E010	10° Extensionsanschlag				
7b	SK9802-E015	15° Extensionsanschlag				
7c	SK9802-E020	20° Extensionsanschlag				
7d	SK9802-E025	25° Extensionsanschlag				
7e	SK9802-E030	30° Extensionsanschlag				

WP0098-GB-2023-01

patient commission/configuration ID _____

Item	14mm	Description	Potential Problem	Measure	Recommended Inspection, Potential Replacement*	Latest Replacement after
9	SK0772-L/038	locking pawl**	wear	replacing	every 6 months	36 months
9	SK0772-L/050					
9	SK0772-L/063					
9	SK0772-L/075					
9	SK0772-L/088					
9	SK0772-L/100					
10	GS2009-040	sliding washer, Ø = 20mm	wear	replacing	every 6 months	18 months
10	GS2009-045					
10	GS2009-050					
10	GS2009-055					
10	GS2009-060					
11a	BP1009-L065	sliding bushing	wear	replacing	every 6 months	18 months
12	FE1411-02	pressure spring	wear	replacing	every 6 months	18 months
14	SK0862-2L/AL	cover plate, left lateral or right medial, aluminium	wear	replacing	every 6 months	36 months
14	SK0862-2R/AL	cover plate, left medial or right lateral, aluminium				
15	SC1404-L12	countersunk flat head screw with hexalobular socket	wear	replacing	every 6 months	36 months
16	SC1405-L12	countersunk flat head screw with hexalobular socket (axle screw)				
Pulling Cable (If Existing). You need one pulling cable adaptor for each locking pawl to mount a pulling cable on.						
17	ZS1000-L400	pulling cable, nylon cable with cover, 400mm	wear	replacing	every 6 months	36 months
17	ZS1000-L500	pulling cable, nylon cable with cover, 500mm				
17	ZS1000-L600	pulling cable, nylon cable with cover, 600mm				
17	ZS1000-L700	pulling cable, nylon cable with cover, 700mm				
17	ZS1100-L400	pulling cable, separable through coupler, 400mm				
17	ZS1100-L500	pulling cable, separable through coupler, 500mm				
System Anchors and System Side Bars						
18	see catalogue	system anchor and system side bar	wear or breakage	replacing	every 6 months	if required

* depending on the assessment of the distributor of the custom-made product regarding the patient's usage behaviour

** If you need a locking pawl for right lateral or left medial as opposed to a locking pawl for left lateral or right medial listed here, you have to replace the L in the article number with an R. Example: SK0772-R/038.