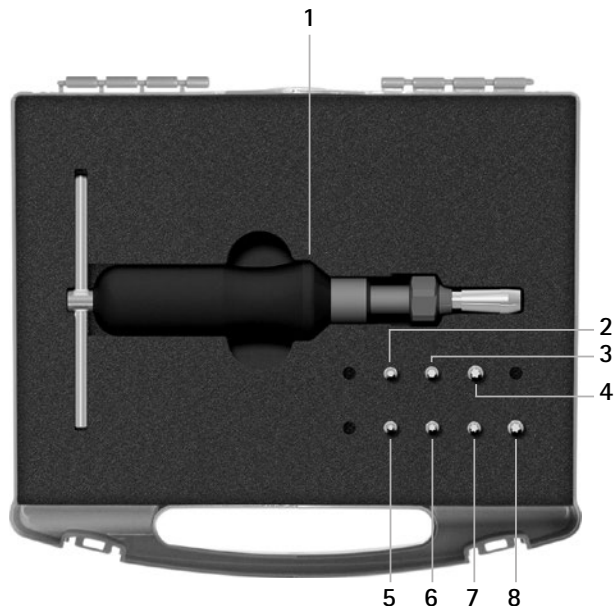


Legend: Torque Screwdriver in a Case Art. No. WZ5500



* NEURO CLASSIC-SPRING, NEURO CLASSIC-SWING, NEURO VARIO-CLASSIC 2, NEURO VARIO 2, NEURO VARIO-SPRING 2, NEURO VARIO-SWING, NEURO SWING-CLASSIC, NEURO SWING, NEURO SWING 2 and NEURO HiSWING

Item	Article Number	Description	Case Equipment
1	-	torque screwdriver, 1– 6Nm	1 piece
2	WZ5600-I30	bit, hexagon socket, 3mm, 25mm long, for M5 screws	1 piece
3	WZ5600-I40	bit, hexagon socket, 4mm, 25mm long, for M6 screws	1 piece
4	WZ5604-T10	bit, hexalobular socket, TX10, 25mm long, for M3 screws and for the pressure screw* 10mm	1 piece
5	WZ5604-T15	bit, hexalobular socket, TX15, 25mm long, for M4 screws	1 piece
6	WZ5604-T20	bit, hexalobular socket, TX20, 25mm long, for M5/M6 screws and for the pressure screw* 12mm	1 piece
7	WZ5604-T25	bit, hexalobular socket, TX25, 25mm long, only for the pressure screw* 14/16/20mm	1 piece
8	WZ5604-T30	bit, hexalobular socket, TX30, 25mm long, for M6 screws	1 piece

Application Overview

Screw Thread	Appropriate Bit	Required Torque
M3	TX10, hexalobular socket	1.5Nm**
M4	TX15, hexalobular socket TX20, hexalobular socket - only for the pressure screw* 12mm	3Nm**
M5	TX20, hexalobular socket 3mm, hexagon socket TX25, hexalobular socket - only for the pressure screw* 14/16/20mm	4Nm**
M6	TX20, hexalobular socket 4mm, hexagon socket	4Nm**
M6	TX30, hexalobular socket 4mm, hexagon socket	6Nm**

** Note: Unless stated otherwise in the instructions for use, use the torque given in this table.

FIOR & GENTZ

Gesellschaft für Entwicklung und Vertrieb
von orthopädietechnischen Systemen mbH

Dorette-von-Stern-Straße 5
21337 Lüneburg (Germany)

☎ +49 4131 24445-0
☎ +49 4131 24445-57

✉ info@fior-gentz.de
🌐 www.fior-gentz.com

FIOR & GENTZ
ORTHOPÄDIETECHNIK MIT SYSTEM